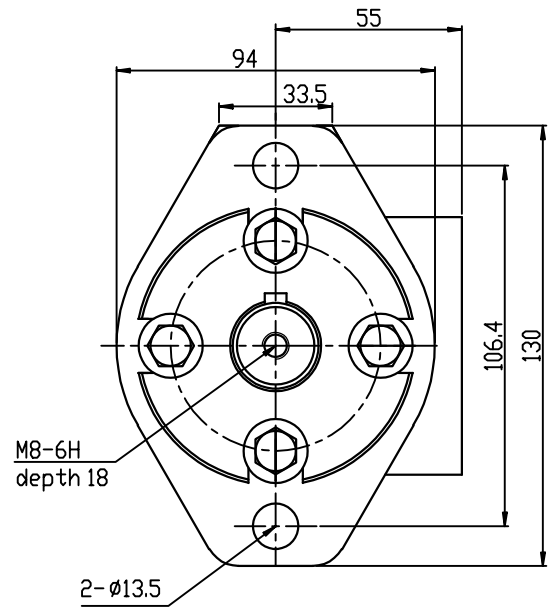
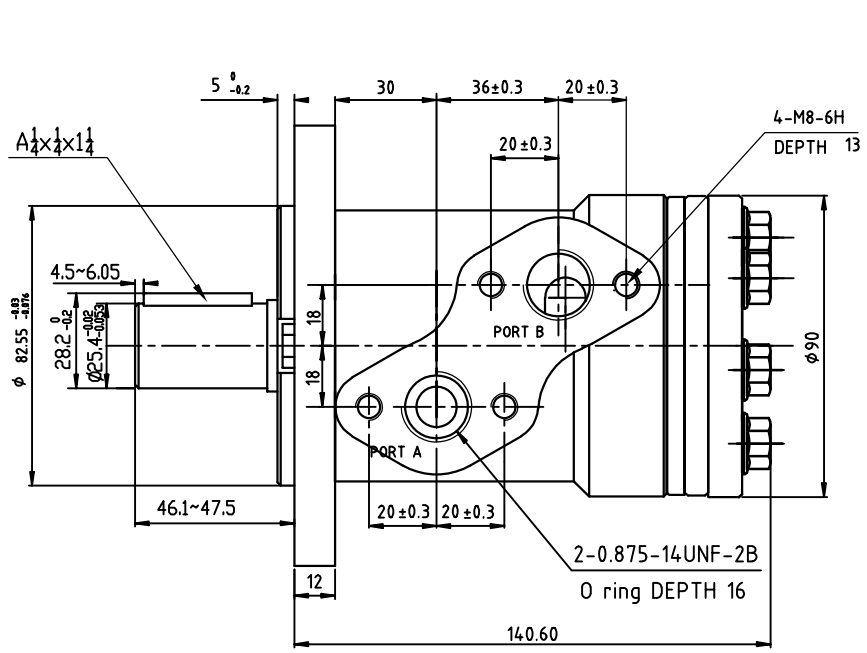


XCEL



- NOTE:
- 1, Case pressure should not be higher than 5 MPa.
 - 2, A simultaneous maximum flow and maximum pressure NOT recommended.
 - 3, Standard rotation: CW-when A port pressuried (View from the shaft end)
 - 4, Model Code: MCH053AA03AE010000A000C00B

DANFOSS	
motor type	CH-53
part number	016-0080-002
disp. cc/r	53
rated. flow(LPM)	38
Int. flow(LPM)	45
rated pressure (Bar)	124
int. pressure (Bar)	138
High temp. °C	80
clealiness	ISO18/13
recomanded oil	DTE26
painting (default)	black

		TITLE	NUMBER		
		CH MOTOR	016-0080-002		
MATERIAL		CAST NUMBER			
Design	Craft	MATERIAL	MARK	WEIGHT	SCALE
Drawing	Standard	THE ASSEMBLE DRAWING	S	P	1:1
Correct	Approval				
Check	Date				
SHEET 1 OF 1					