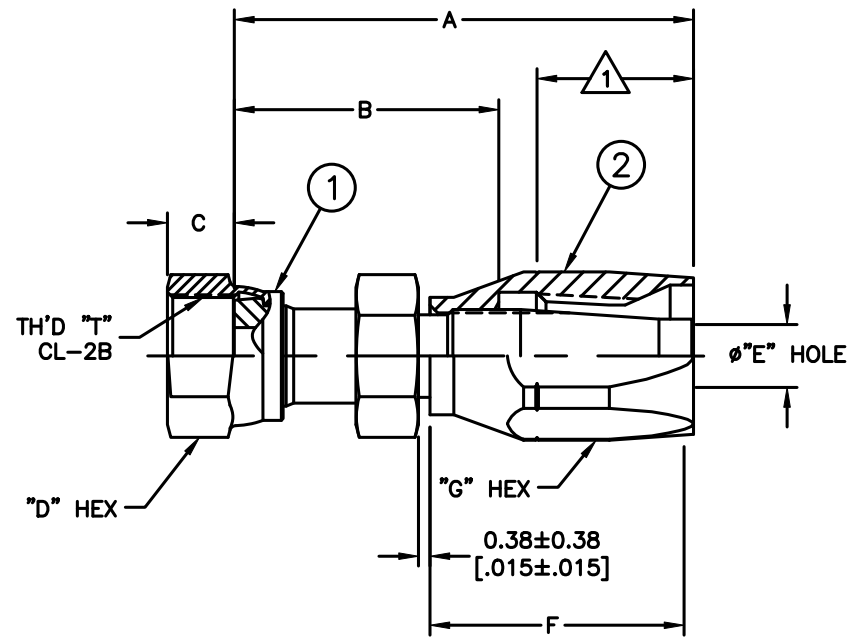
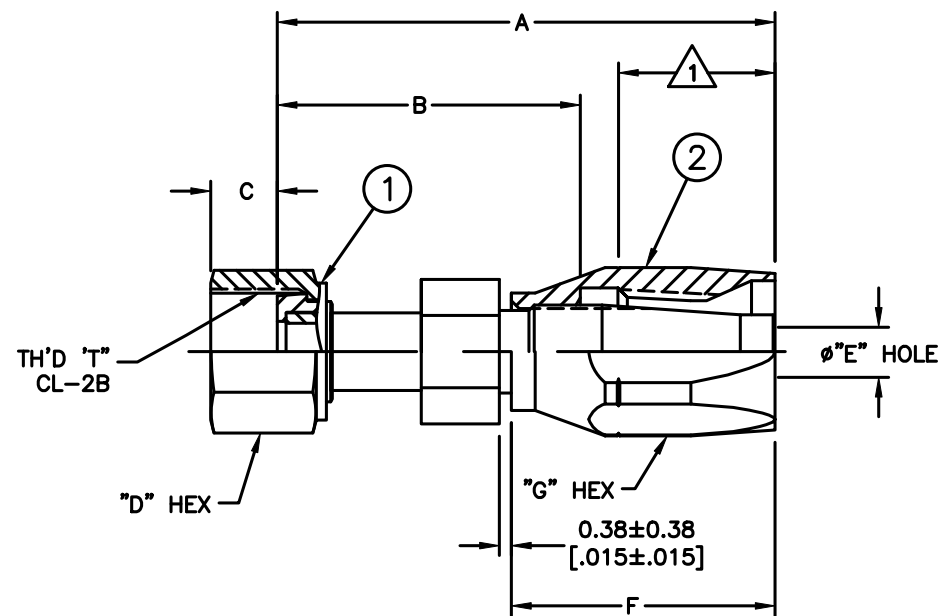


AEROQUIP PART NUMBER	STYLE	TH'D "T" (INCH)	A REF	B REF	C REF	D REF (INCH)	E REF	F REF	G REF (INCH)
FJ9732-0404S	I	9/16-18	70.1 [2.76]	38.6 [1.53]	8.13 [.32]	11/16	4.4 [.17]	44 [1.73]	13/16
FJ9732-0606S	I	11/16-16	76.7 [3.02]	39.4 [1.55]	9.7 [.38]	13/16	6.6 [.26]	48.9 [1.92]	1
FJ9732-0808S	I	13/16-16	86.4 [3.40]	48 [1.89]	11 [.43]	15/16	9.9 [.39]	51.1 [2.01]	1 1/8
FJ9732-1010S	I	1-14	91.2 [3.59]	51.8 [2.04]	13.5 [.53]	1 1/8	12.8 [.50]	53.5 [2.10]	1 1/4
FJ9732-1212S	I	1 3/16-12	102.9 [4.05]	55.4 [2.18]	14.5 [.57]	1 3/8	15.5 [.61]	62.7 [2.47]	1 1/2
FJ9732-1616S	I	1 7/16-12	121.4 [4.78]	69.3 [2.73]	14.7 [.58]	1 5/8	20.7 [.82]	74.9 [2.95]	1 13/16
FJ9732-2020S	I	1 11/16-12	131.1 [5.16]	72.1 [2.84]	14.7 [.58]	1 7/8	25.9 [1.02]	86.9 [3.42]	2 1/4
FJ9732-2424S	II	2-12	135.9 [5.35]	79.2 [3.12]	14.7 [.58]	2 1/4	32.5 [1.28]	84.7 [3.34]	2 1/2

REVISIONS			
REV	DESCRIPTION	DATE	APPROVED



STYLE I



STYLE II

FJ9732-2424S	FJ8732-2424S	4010-24S			
FJ9732-2020S	FJ8732-2020S	4010-20S			
FJ9732-1616S	FJ8732-1616S	4013-16S			
FJ9732-1212S	FJ8732-1212S	4010-12S			
FJ9732-1010S	FJ8732-1010S	4010-10S			
FJ9732-0808S	FJ8732-0808S	4010-8S			
FJ9732-0606S	FJ8732-0606S	4010-6S			
FJ9732-0404S	FJ8732-0404S	4010-4S			
AEROQUIP PART NUMBER	① NIPPLE ASSEMBLY	② SOCKET			

LIST OF MATERIALS

ITEM NO.	MATERIAL
1	STEEL
2	STEEL

DRAWN D. SNYDER  
 CHECKED B. THOMAS  
 APPROVED R. GARRETT  
 RELEASE DATE 2002-10-07  
 EN-F23485  
 DP-1178  
 THIRD ANGLE PROJECTION

**EATON** Aeroquip PRODUCTS  
 TECHNICAL CENTER  
 MAUMEE, OHIO, U.S.A.

DRAWING TITLE  
**FITTING ASSEMBLY**  
 ORS FEMALE SWIVEL,  
 1509 HOSE

SIZE A2 DRAWING NUMBER FJ9732-S REV  
 SCALE NONE DIST U CAGE CODE 01276 SHEET

NOTICE TO PERSONS RECEIVING THIS DRAWING AND / OR TECHNICAL INFORMATION  
 Eaton Corporation claims proprietary rights in the information disclosed hereon. This document is issued in confidence and is not to be reproduced or used to manufacture anything shown hereon without the written permission of the Eaton Corporation.

METRIC

2. DIMENSIONS ARE IN MILLIMETERS [INCHES].  
 1. LENGTH OF OUTER HOSE COVERING TO BE REMOVED.

REV. SH. DWG. NO. FJ9732-S