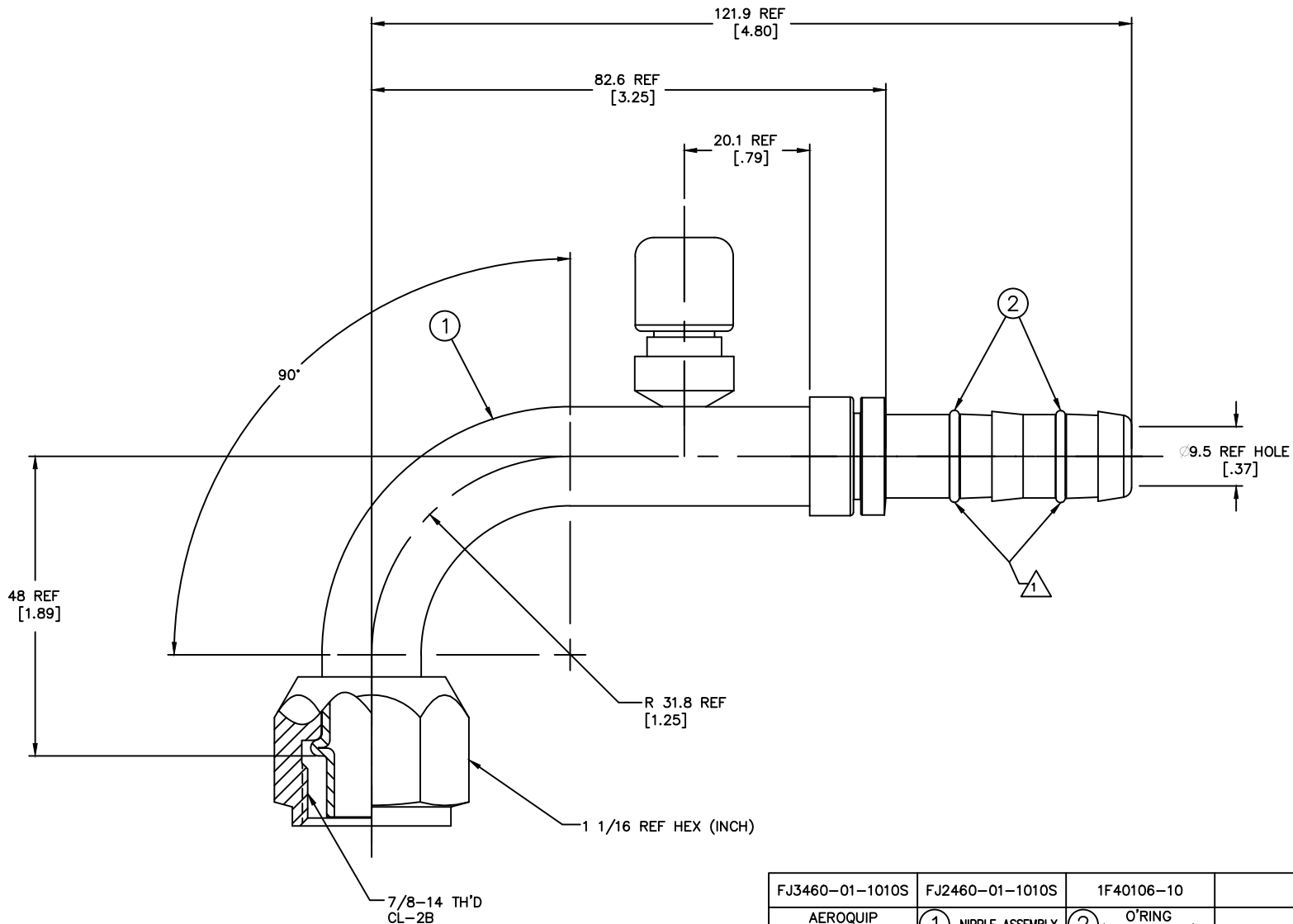


REVISIONS			
REV	DESCRIPTION	DATE	APPROVED



METRIC

- 2. DIMENSIONS ARE IN MILLIMETERS [INCHES].
- 1. LUBRICATE O'RINGS AND ASSEMBLE TO NIPPLE AS SHOWN.

FJ3460-01-1010S	FJ2460-01-1010S	1F40106-10			
AEROQUIP PART NUMBER	① NIPPLE ASSEMBLY	② O'RING (2 REQUIRED)			
LIST OF MATERIALS					
ITEM NO.	MATERIAL	DRAWN S. HART	FLUID CONVEYANCE DIVISION DRAWING TITLE FITTING ASSEMBLY 90°, SAE FEMALE O'RING PILOT (LONG) WITH M12 SWITCH PORT, GH134 HOSE		
1	STEEL	CHECKED S. MYERS			
2	NITRILE (HNBR)	APPROVED D. KAUFMAN			
		RELEASE DATE 2001-08-13			
		EN-F21642	SIZE A2	DRAWING NUMBER FJ3460-01-1010	REV
		RPS-10182	SCALE 2/1	DIST U	CAGE CODE 01276
		THIRD ANGLE PROJECTION	SHEET		* *

DWG. NO. FJ3460-01-1010