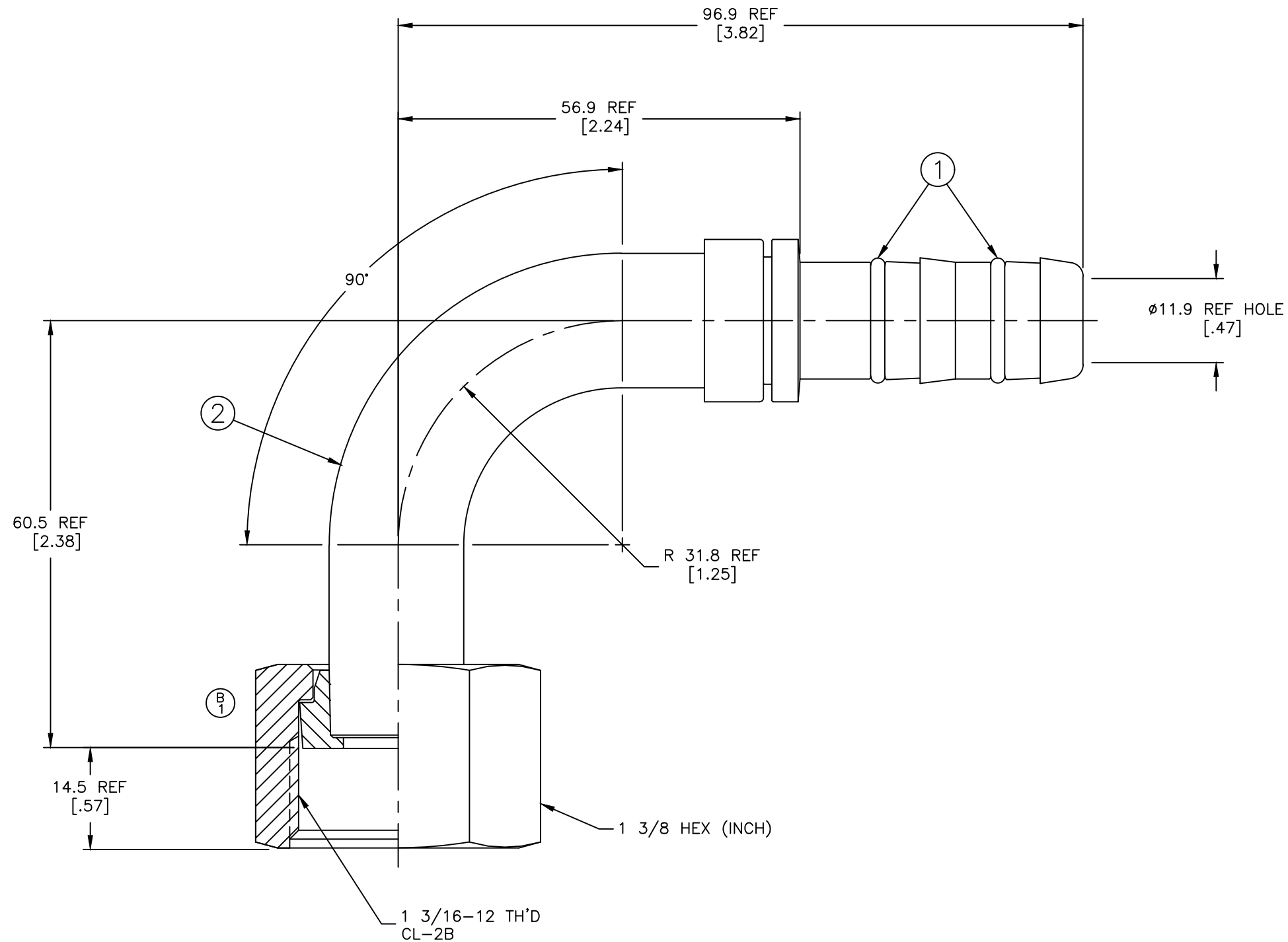


REVISIONS			
REV	DESCRIPTION	DATE	APPROVED
A	(1) WAS "FW2319-1212S" (2) ITEM TYPE WAS "ETDA"	2001-03-19 R.D.W	EN-F21402 DP-24901
B	(1) UPDATED GEOMETRY TO CAPTIVE NUT AND SHOULDER	2001-03-21 M.R./W.H.	EN-F21377 DP-1256



2. DIMENSIONS ARE IN MILLIMETERS [INCHES].
1. LUBRICATE O'RINGS AND ASSEMBLE TO NIPPLE AS SHOWN.

ITEM NO.	MATERIAL	QTY	DESCRIPTION
1	HNBR	2	O-RING (2 REQ'D)
2	STEEL	1	NIPPLE ASSEMBLY

FJ3319-1212S	1F40106-12	FJ2319-1212S			
PART NUMBER	(1)	(2)			
LIST OF MATERIALS					
DRAWN S. BOHN		FLUID CONVEYANCE DIVISION DRAWING TITLE FITTING ASSEMBLY 90°, ORS SWIVEL, GH134 HOSE			
CHECKED W.R.HYDE					
APPROVED W.R.HYDE					
RELEASE DATE 2000-12-08					
EN-F20870 DP-1256		SIZE A2	DRAWING NUMBER FJ3319-1212S	REV B	
THIRD ANGLE PROJECTION		SCALE 2:1	DIST U	CAGE CODE 01276	SHEET
ITEM TYPE:					