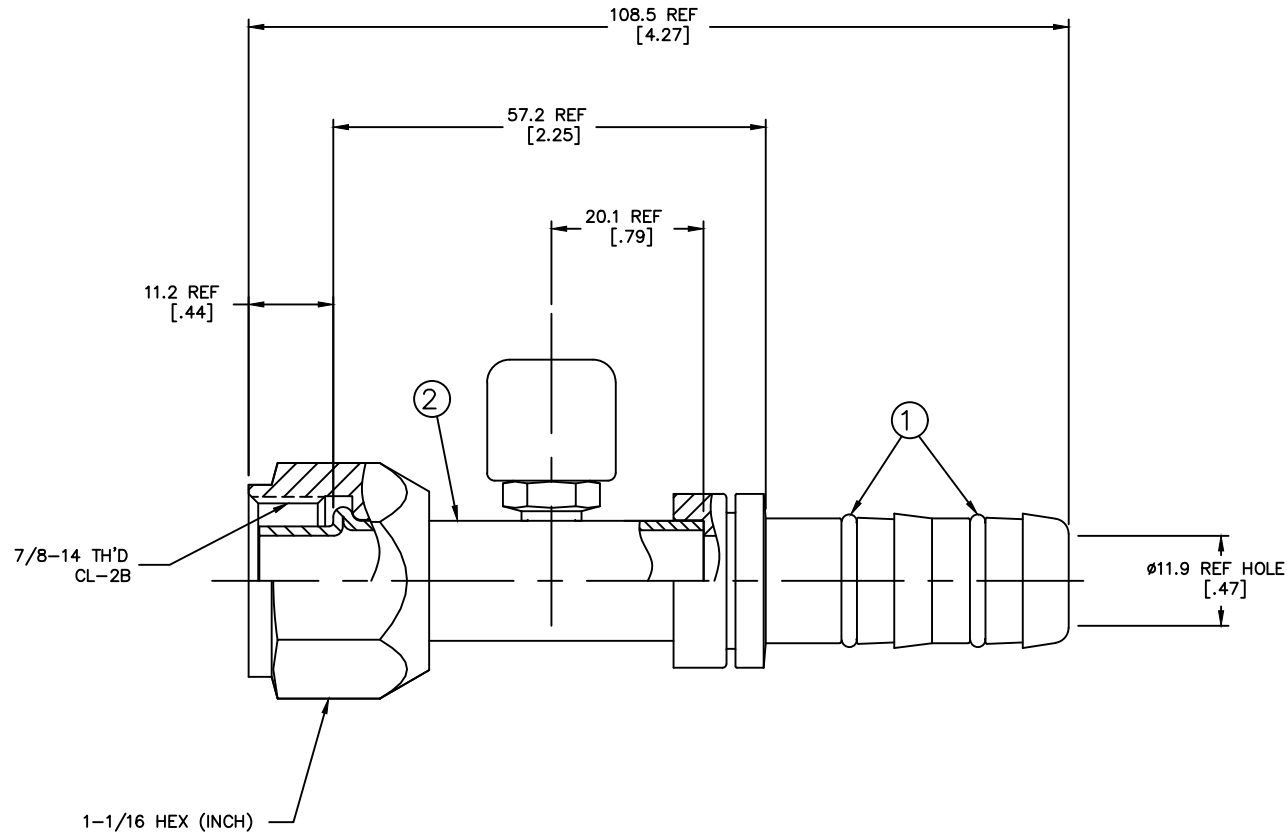


REVISIONS			
REV	DESCRIPTION	DATE	APPROVED
A	(1) PART NUMBER WAS "FJ40104-12"	2001-01-15 A.L./W.H.	EN-F21322 DP-1256



METRIC

- 2. DIMENSIONS ARE IN MILLIMETERS [INCHES].
- 1. LUBRICATE O-RINGS AND ASSEMBLE TO NIPPLE AS SHOWN.

FJ3162-1012S	1F40106-12	FJ2162-1012S		
AEROQUIP PART NUMBER	(1) O-RING (2 REQ'D)	(2) NIPPLE ASSEMBLY		
LIST OF MATERIALS				
ITEM NO.	MATERIAL	DRAWN S. BOHN	FLUID CONVEYANCE DIVISION	
1	HNBR	CHECKED R. D. WEBB	 DRAWING TITLE FITTING ASSEMBLY FEMALE O-RING PILOT (LONG) WITH 7/16-20 SWITCH PORT, GH134 HOSE	
2	STEEL	APPROVED D. SHOWALTER		
		RELEASE DATE 2000-09-26		
		EN-F20549 DP-1256		
		THIRD ANGLE PROJECTION	SIZE A2	DRAWING NUMBER FJ3162-1012S
		ITEM TYPE:	SCALE 2:1	DIST U CAGE CODE 01276 SHEET

DWG. NO. FJ3162-1012S REV. A SH. A