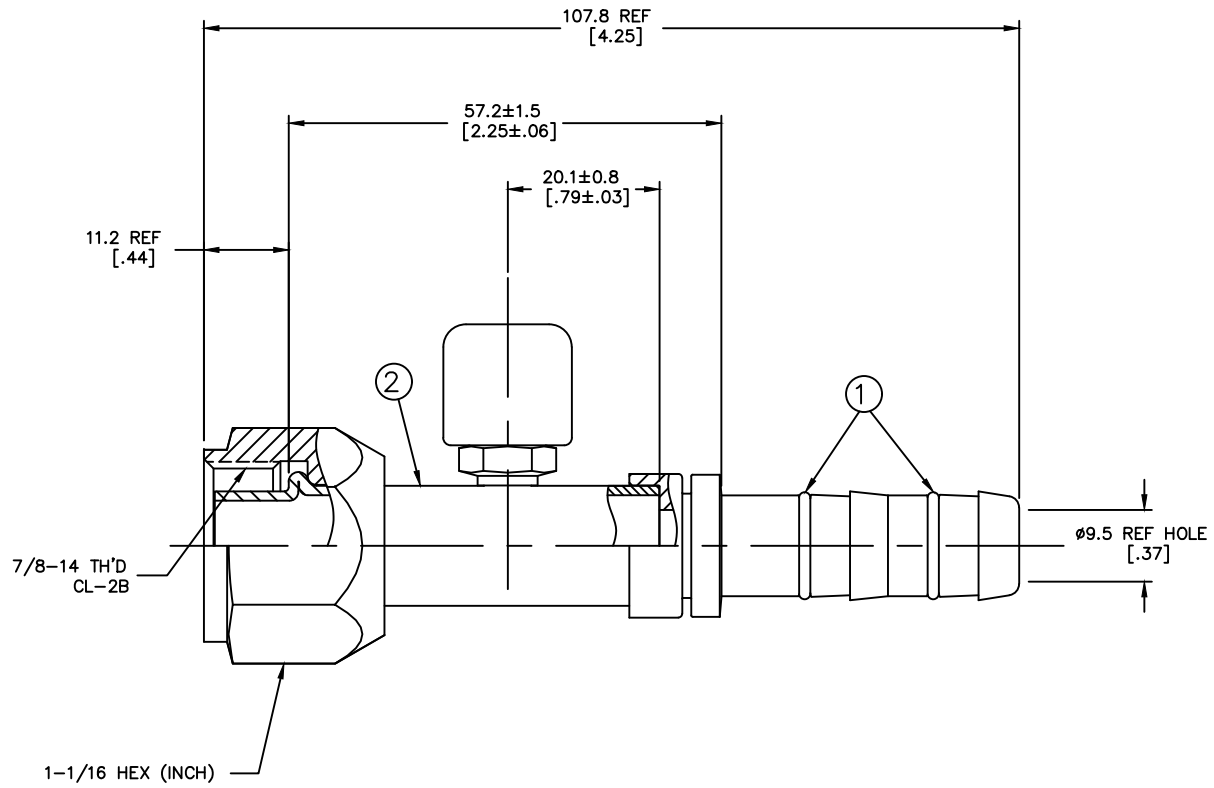


REVISIONS			
REV	DESCRIPTION	DATE	APPROVED
A	(1) PART NUMBER WAS "FJ40104-10"	2001-01-15 A.L./W.H.	EN-F21322 DP-1256



METRIC

- DIMENSIONS ARE IN MILLIMETERS [INCHES].
- LUBRICATE O-RINGS AND ASSEMBLE TO NIPPLE AS SHOWN.

FJ3162-1010S	1F40106-10	FJ2162-1010S			
AEROQUIP PART NUMBER	① O-RING (2 REQ'D)	② NIPPLE ASSEMBLY			
LIST OF MATERIALS					
ITEM NO.	MATERIAL	DRAWN S. BOHN	FLUID CONVEYANCE DIVISION DRAWING TITLE <b>FITTING ASSEMBLY</b> FEMALE O-RING PILOT (LONG) WITH 7/16-20 SWITCH PORT, GH134 HOSE		
1	HNBR	CHECKED R. D. WEBB			
2	STEEL	APPROVED D. SHOWALTER			
		RELEASE DATE 2000-09-26			
		EN-F20549	SIZE	DRAWING NUMBER	REV
		DP-1256	A2	FJ3162-1010S	A
		THIRD ANGLE PROJECTION	SCALE 2:1	DIST U	CAGE CODE 01276
		ITEM TYPE:			SHEET

DWG. NO. FJ3162-1010S REV. A SH. A