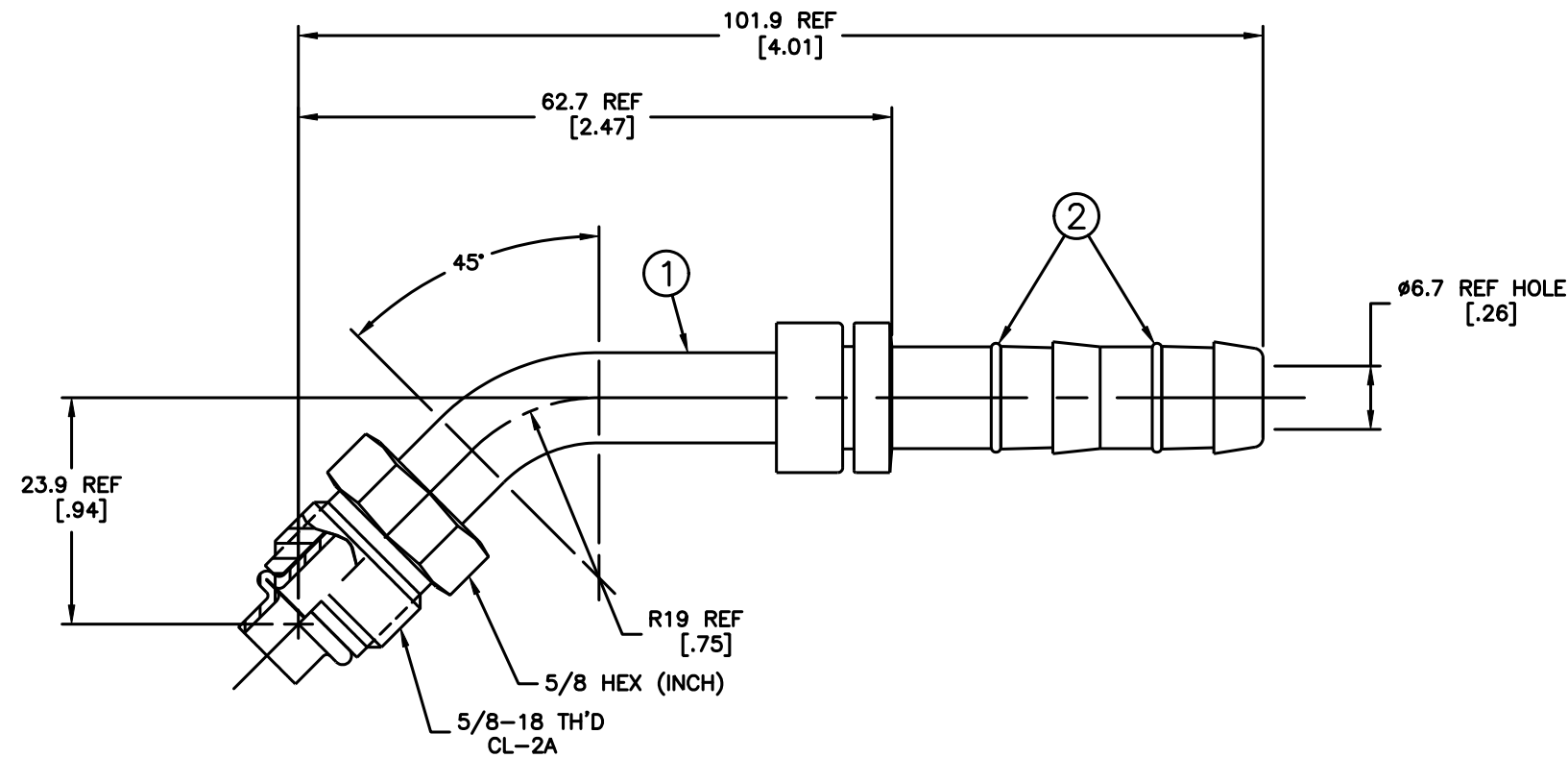


THE INFORMATION DISCLOSED ON THIS DRAWING IS PROPRIETARY AND SHALL NOT BE DISCLOSED, USED, OR DUPLICATED FOR PROCUREMENT OR MANUFACTURING PURPOSES WITHOUT THE EXPRESS WRITTEN CONSENT OF AEROQUIP CORPORATION. [DFARS 252.227-7013(d)(2)]

REVISIONS			
REV	DESCRIPTION	DATE	APPROVED



2. DIMENSIONS ARE IN MILLIMETERS [INCHES].
 1. LUBRICATE O'RINGS AND ASSEMBLE TO NIPPLE AS SHOWN.

FJ3116-04-0608S	FJ2116-04-0608S	1F40106-08			
AEROQUIP PART NUMBER	① NIPPLE ASSEMBLY	② O'RING (2 REQ'D)			
LIST OF MATERIALS					
ITEM NO.	MATERIAL	DRAWN D.BAILEY	AEROQUIP CORPORATION Industrial Products Group Maumee, Ohio, U.S.A. DRAWING TITLE FITTING ASSEMBLY 45°, MALE O'RING PILOT (SHORT), GH134 HOSE SIZE A2 DRAWING NUMBER FJ3116-04-0608S REV SCALE 2/1 DIST U CAGE CODE 01276 SHEET		
1	STEEL	CHECKED B.THOMAS			
2	HNBR	APPROVED W.R.HYDE			
		RELEASE DATE 2001-08-27			
		EN-F22147			
		DP-1256			
THIRD ANGLE PROJECTION					

REV. SH. DWG. NO. FJ3116-04-0608S