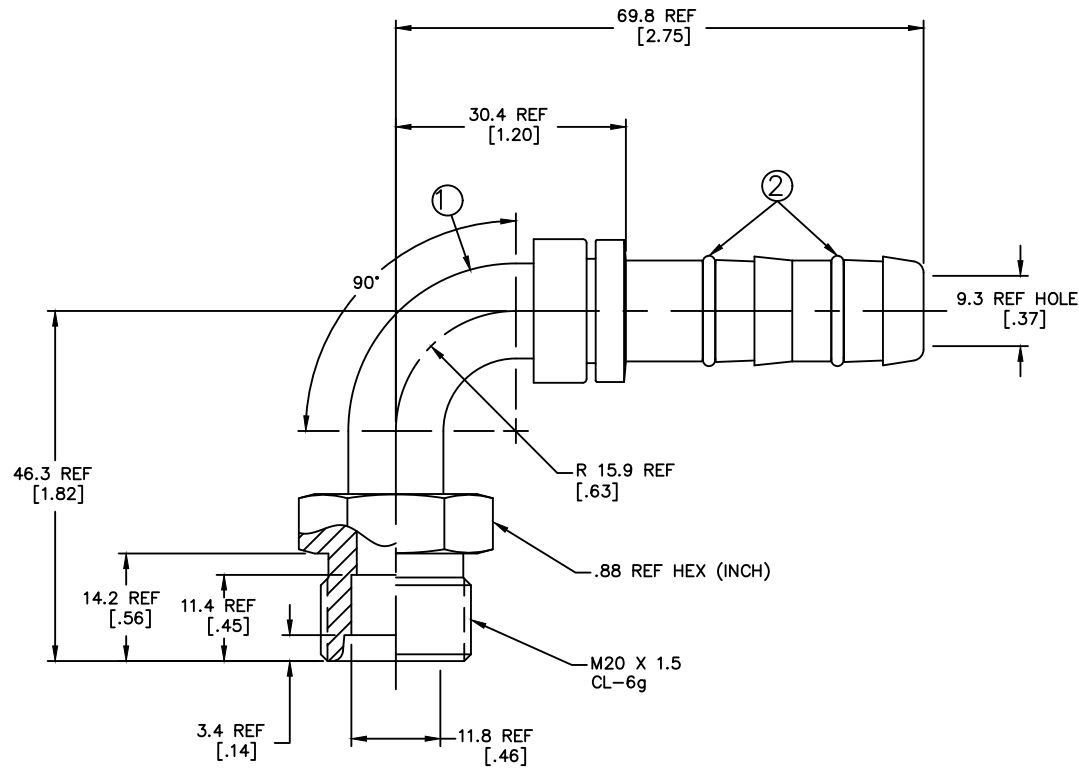


REVISIONS			
REV	DESCRIPTION	DATE	APPROVED



METRIC

- DIMENSIONS ARE IN MILLIMETERS [INCHES].
- LUBRICATE O'RINGS AND ASSEMBLE TO NIPPLE AS SHOWN.

FJ3113-0810S	FJ2113-0810S	1F40106-10		
AEROQUIP PART NUMBER	① NIPPLE ASSEMBLY	② O'RING (2 REQ'D)		
LIST OF MATERIALS				
ITEM NO.	MATERIAL	DRAWN W.R.HYDE	FLUID CONVEYANCE DIVISION DRAWING TITLE FITTING ASSEMBLY 90, MALE O'RING PILOT (LONG), GH134 HOSE	
1	STEEL	CHECKED J. BAHNSEN		
2	HNBR	APPROVED J. BAHNSEN		
		RELEASE DATE 2000-01-12		
		EN-F19598	SIZE A2	DRAWING NUMBER FJ3113-0810S
		DP-1256	SCALE 2/1	DIST U
		THIRD ANGLE PROJECTION	CAGE CODE 01276	SHEET NO
		ITEM TYPE TSA		

DWG. NO. FJ3113-0810S