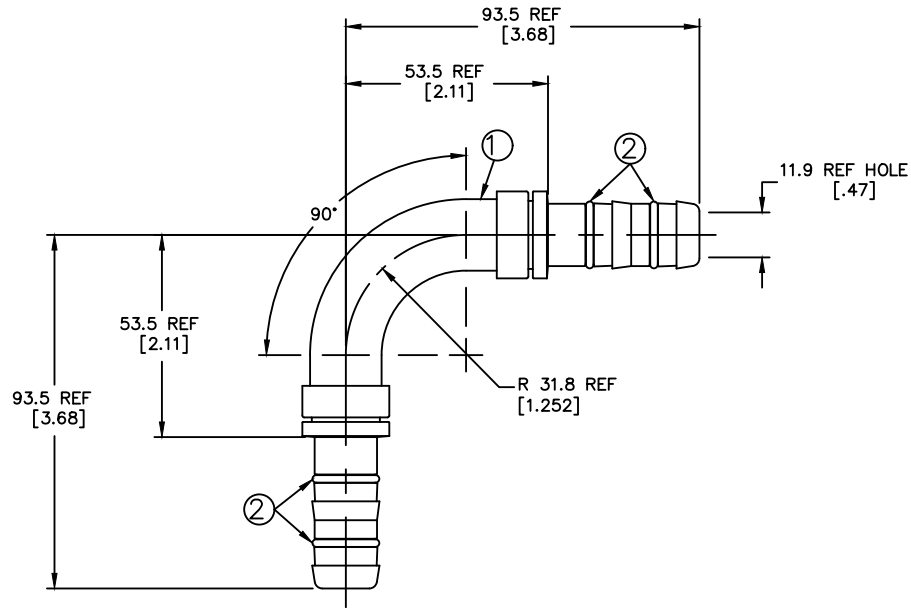


REVISIONS			
REV	DESCRIPTION	DATE	APPROVED



METRIC

- DIMENSIONS ARE IN MILLIMETERS [INCHES].
- LUBRICATE O-RINGS AND ASSEMBLE TO NIPPLE AS SHOWN.

FJ3058-04-1212S	FJ2058-04-1212S	1F40106-12			
AEROQUIP PART NUMBER	① NIPPLE ASSEMBLY	② O-RING (4 REQ'D)			
LIST OF MATERIALS					
ITEM NO.	MATERIAL	DRAWN W.R.HYDE	FLUID CONVEYANCE DIVISION DRAWING TITLE <b>FITTING ASSEMBLY</b> 90°, HOSE SPLICER, GH134 HOSE		
1	STEEL	CHECKED J. BAHNSEN			
2	HNBR	APPROVED J. BAHNSEN			
		RELEASE DATE 2000-01-11			
		EN-F19522	SIZE A2	DRAWING NUMBER FJ3058-04-1212S	REV
		DP-1256	SCALE	DIST U	CAGE CODE 01276
		THIRD ANGLE PROJECTION			SHEET NO
		ITEM TYPE: TZA			

DWG. NO. FJ3058-04-1212S