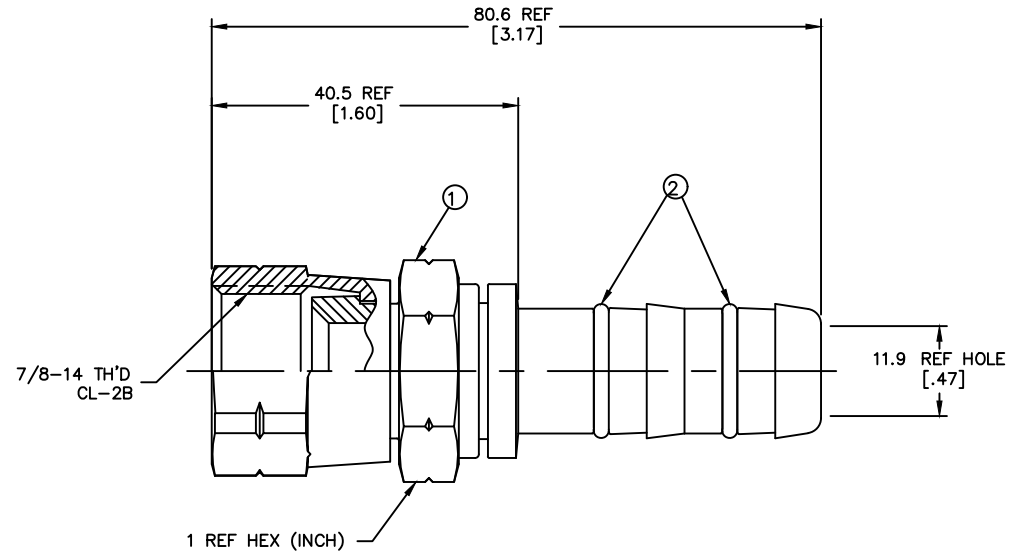


REVISIONS			
REV	DESCRIPTION	DATE	APPROVED



METRIC

- 2. DIMENSIONS ARE IN MILLIMETERS [INCHES].
- 1. LUBRICATE O'RINGS AND ASSEMBLE ON NIPPLE AS SHOWN.

FJ3057-06-1012S	FJ2057-06-1012S	1F40106-12		
AEROQUIP PART NUMBER	① NIPPLE ASSEMBLY	② O'RING (2 REQUIRED)		
LIST OF MATERIALS				
ITEM NO.	MATERIAL	DRAWN M. RAYMO	FLUID CONVEYANCE DIVISION DRAWING TITLE <b>FITTING ASSEMBLY</b> SAE 45° SWIVEL, GH134 HOSE	
1	STEEL	CHECKED D. BAILEY		
2	HNBR	APPROVED D. BAILEY		
		RELEASE DATE 2000-08-31		
		EN-F20300 DP-1256		
		THIRD ANGLE PROJECTION	SIZE A2	DRAWING NUMBER FJ3057-06-1012S
		ITEM TYPE: D I F A	SCALE 2:1	DIST U CAGE CODE 01276 SHEET

DWG. NO. FJ3057-06-1012S