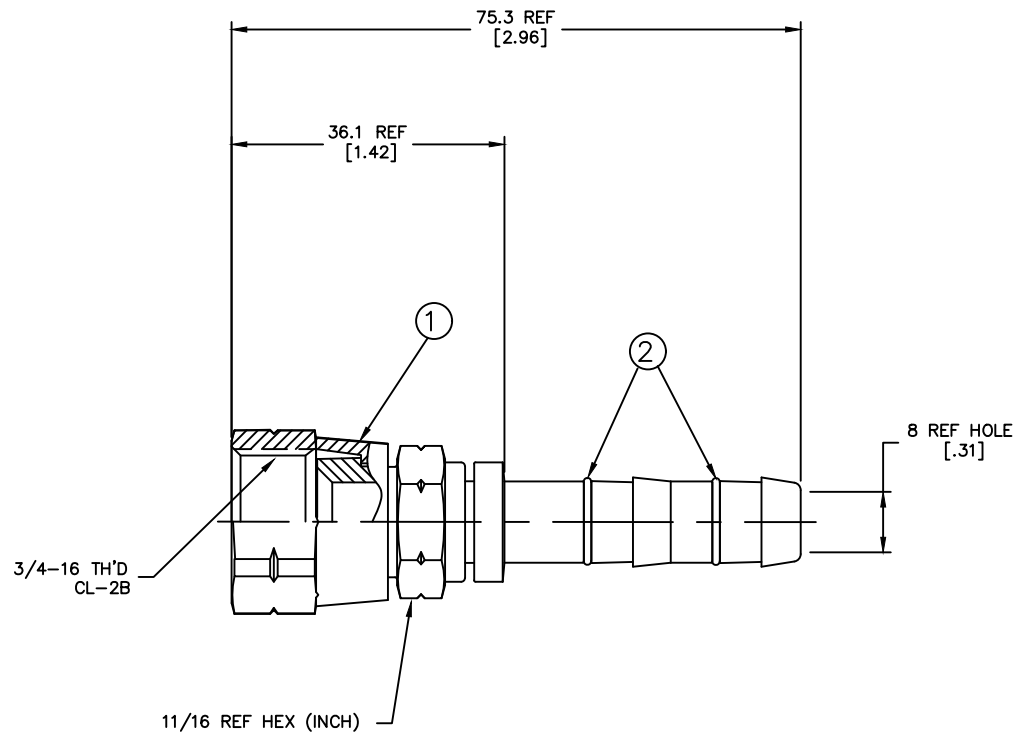


REVISIONS			
REV	DESCRIPTION	DATE	APPROVED



METRIC

- 2. DIMENSIONS ARE IN MILLIMETERS [INCHES].
- 1. LUBRICATE O'RINGS AND ASSEMBLE ON NIPPLE AS SHOWN.

FJ3057-03-0808S	FJ2057-03-0808S	1F40106-08				
AEROQUIP PART NUMBER	① NIPPLE ASSEMBLY	② O'RING (2 REQUIRED)				
LIST OF MATERIALS						
ITEM NO.	MATERIAL	DRAWN M. RAYMO	FLUID CONVEYANCE DIVISION DRAWING TITLE <b>FITTING ASSEMBLY</b> SAE 45° SWIVEL, GH134 HOSE			
1	STEEL	CHECKED D. BAILEY				
2	HNBR	APPROVED D. BAILEY				
		RELEASE DATE 2000-08-31				
		EN-F20300 DP-1256				
		THIRD ANGLE PROJECTION	SIZE A2	DRAWING NUMBER FJ3057-03-0808S	REV	
		ITEM TYPE: D I F A	SCALE 2:1	DIST U	CAGE CODE 01276	SHEET

REV. SH. DWG. NO. FJ3057-03-0808S