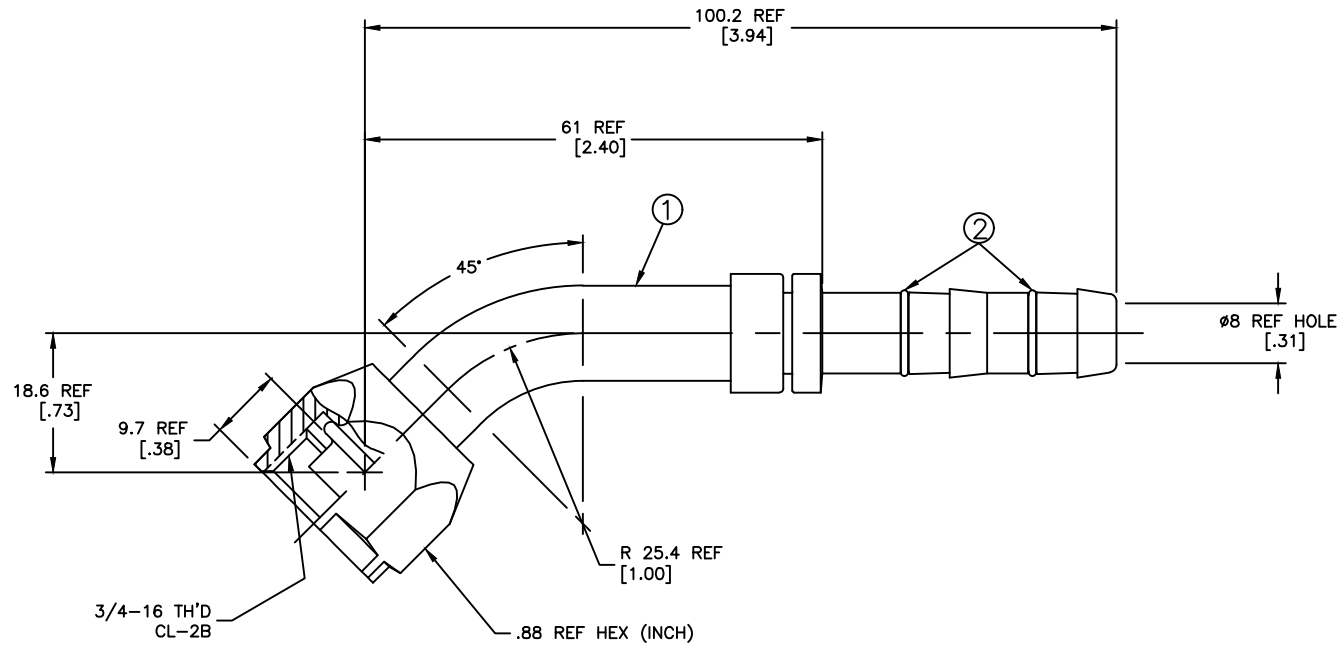


REVISIONS			
REV	DESCRIPTION	DATE	APPROVED
A	1) ADDED NEW PART NO. "FCE4323"	2020-08-24 AAG	CO-0207135
B	1) FBE4323 WAS FCE4323.	2020-09-29 AAG	CO-0208943



METRIC

① ②

FBE4323	FJ3055-03-0808S	FJ2055-03-0808S	1F40106-08		
HIGH PERFORMANCE PART NUMBER	PART NUMBER	① NIPPLE ASSEMBLY	② O'RING (2 REQ'D)		
LIST OF MATERIALS					
ITEM NO.	MATERIAL	DRAWN W.R.HYDE	FLUID CONVEYANCE DIVISION		
1	STEEL	CHECKED R.D.GARRETT	DRAWING TITLE FITTING ASSEMBLY		
2	HNBR	APPROVED R.D.GARRETT	45°, FEMALE O'RING PILOT (SHORT), GH134 HOSE		
		RELEASE DATE 1999-12-19	SIZE A2	DRAWING NUMBER FJ3055-03-0808S	REV B
		EN-F19520	SCALE 2/1	DIST U	CAGE CODE 01276
		DP-1256	THIRD ANGLE PROJECTION	SHEET 1	
<small>THE REPRODUCTION, DISTRIBUTION AND UTILIZATION OF THIS DOCUMENT, AS WELL AS THE COMMUNICATION OF ITS CONTENTS TO OTHERS WITHOUT EXPLICIT AUTHORIZATION IS PROHIBITED. OFFENDERS WILL BE HELD LIABLE FOR THE PAYMENT OF DAMAGES. ALL RIGHTS RESERVED IN THE EVENT OF THE GRANT OF A PATENT, UTILITY MODEL OR DESIGN. (PER ISO 18016)</small>					

- DIMENSIONS ARE IN MILLIMETERS [INCHES].
- LUBRICATE O'RINGS AND ASSEMBLE TO NIPPLE AS SHOWN.