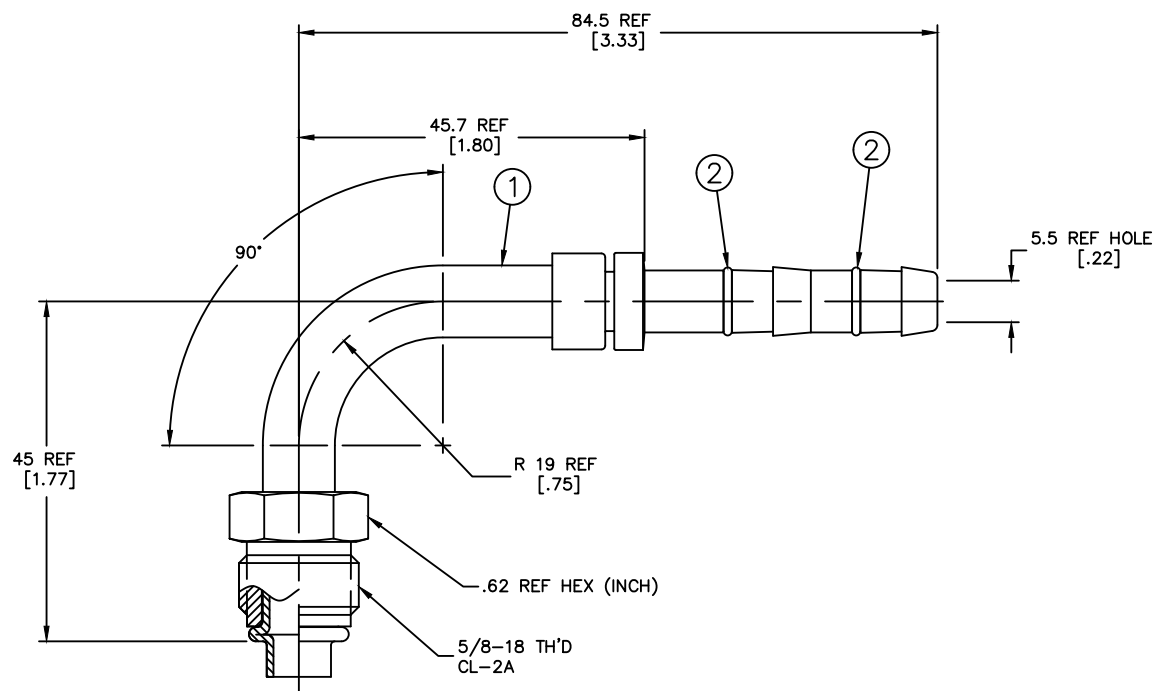


REVISIONS			
REV	DESCRIPTION	DATE	APPROVED



METRIC

- 2. DIMENSIONS ARE IN MILLIMETERS [INCHES].
- 1. LUBRICATE O-RINGS AND ASSEMBLE TO NIPPLE AS SHOWN.

FJ3019-03-0606S	FJ2019-03-0606S	1F40106-06		
AEROQUIP PART NUMBER	① NIPPLE ASSEMBLY	② O-RING (2 REQUIRED)		
LIST OF MATERIALS				
ITEM NO.	MATERIAL	DRAWN	FLUID CONVEYANCE DIVISION	
1	STEEL	I. HARTFORD		
2	HNBR	R. D. GARRETT		
		CHECKED	DRAWING TITLE	
		R. D. GARRETT	FITTING ASSEMBLY	
		APPROVED	90°, MALE O-RING PILOT (SHORT)	
		R. D. GARRETT	GH134 HOSE	
		RELEASE DATE	SIZE	DRAWING NUMBER
		1999-12-21	A2	FJ3019-03-0606S
		EN-F19521	SCALE	2/1
		DP-1256	DIST	U
		THIRD ANGLE PROJECTION	CAGE CODE	01276
		ITEM TYPE	D TSA	SHEET NO

DWG. NO. FJ3019-03-0606S