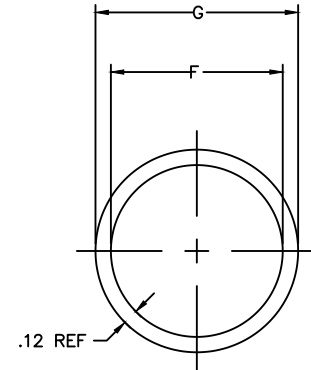
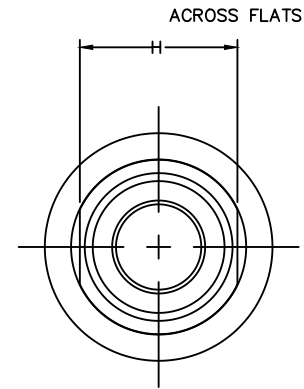
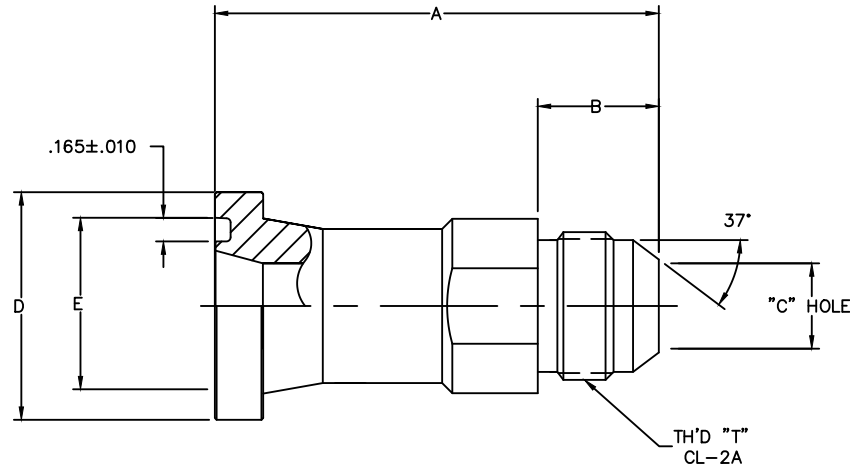


AEROQUIP PART NUMBER	TH'D "T"	A REF	B REF	C REF	D REF	E	F REF	G REF	H REF
FF5541-1212S	1 1/16-12	3.17	.86	.61	1.62	1.2525±.0025	1.00	1.25	1.12
FF5541-1616S	1 5/16-12	3.76	.91	.84	1.88	1.5625±.0025	1.31	1.56	1.38
FF5541-2016S	1 5/16-12	3.76	.91	.84	2.12	1.7525±.0025	1.50	1.75	1.38
FF5541-2020S	1 5/8-12	3.84	.96	1.08	2.12	1.7525±.0025	1.50	1.75	1.69
FF5541-2416S	1 5/16-12	3.76	.91	.84	2.50	2.120±.005	1.88	2.12	1.38
FF5541-2420S	1 5/8-12	3.84	.96	1.08	2.50	2.120±.005	1.88	2.12	1.69
FF5541-2424S	1 7/8-12	4.67	1.08	1.31	2.50	2.120±.005	1.88	2.12	2.00

REVISIONS			
REV.	DESCRIPTION	DATE	APPROVED
* *		*	*



△ O-RING DETAIL

- MATERIAL: STEEL.
- SPLIT FLANGE FC3425-SIZE-449 USED ON THIS ASSEMBLY MUST BE ORDERED SEPARATELY. (2 REQUIRED)

△ O-RING SHOWN FOR REFERENCE ONLY. SUPPLIED BUT NOT FURNISHED WITH ASSEMBLY.

DRAWN T. HARTFORD	DATE 1999-01-05	<b>Fluid</b> FLUID CONVEYANCE DIVISION	
CHECKED R. D. GARRETT	DATE 1999-01-11	DRAWING TITLE TUBE ADAPTER	
APPROVED R. D. GARRETT	DATE 1999-01-11	SPLIT FLANGE TYPE (CODE 62) TO SAE 37° FLARE	
RELEASED EN-F18513	DATE 1999-01-11	SIZE (CAGE) CODE NO. C 01276	DRAWING NUMBER FF5541
PROJECT NO. DP-1246	APC NO.	APPROVED DATE 1999-01-11	SHEET
ITEM TYPE MCAA		U	

DWG. NO. FF5541 SH. REV.