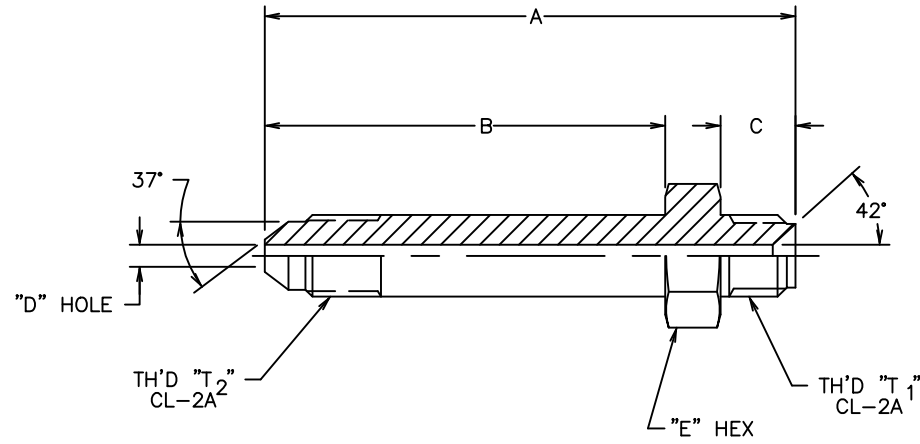


PART NUMBER	TH'D "T <sub>1</sub> "	TH'D "T <sub>2</sub> "	A REF	B REF	C REF	D REF	E REF
FF1327-0303S	3/8-24	3/8-24	2.40	1.81	.34	.12	.56
FF1327-0304S	3/8-24	7/16-20	2.40	1.81	.34	.14	.56
FF1327-0305S	3/8-24	1/2-20	2.40	1.81	.34	.14	.56
FF1327-0403S	7/16-24	3/8-24	2.40	1.81	.34	.12	.56
FF1327-0404S	7/16-24	7/16-20	2.40	1.81	.34	.17	.56
FF1327-0405S	7/16-24	1/2-20	2.40	1.81	.34	.19	.56

REVISIONS			
REV.	DESCRIPTION	DATE	APPROVED
E	REDRAWN - LAST REV. "E" UPDATED TO AGREE WITH DETAIL DRAWINGS	9-15-93	EN-F14156 DAI-17511



CONVERTED DRAWING CADAM to AutoCAD 8/98

1. MATERIAL: STEEL.

THE REPRODUCTION, DISTRIBUTION AND UTILIZATION OF THIS DOCUMENT AS WELL AS THE COMMUNICATION OF ITS CONTENTS TO OTHER WITHOUT EXPLICIT AUTHORIZATION IS PROHIBITED. OFFENDERS WILL BE HELD LIABLE FOR THE PAYMENT OF DAMAGES. ALL RIGHT RESERVED IN THE EVENT OF THE GRANT OF A PATENT, UTILITY MODEL OR DESIGN. (PER ISO 16016)

DRAWN T. WIPF	DATE 9-15-93	<i>Dunkley</i>	FLUID CONVEYANCE DIVISION
CHECKED R. GARRETT	DATE 9-17-93		
APPROVED R. GARRETT	DATE 9-17-93	DRAWING TITLE	
RELEASED EN-F14156	DATE 9-17-93	ADAPTER SPECIAL SAE 37° MALE FLARE TO SAE MALE INVERTED FLARE	
PROJECT NO. DAI-17511	APC NO.	SIZE C	(CAGE) CODE NO. 01276
DESIGN APPROVED			DRAWING NUMBER FF1327-S
APPROVED		U	SHEET

REV. E  
SH.  
FF1327-S  
DWG. NO.