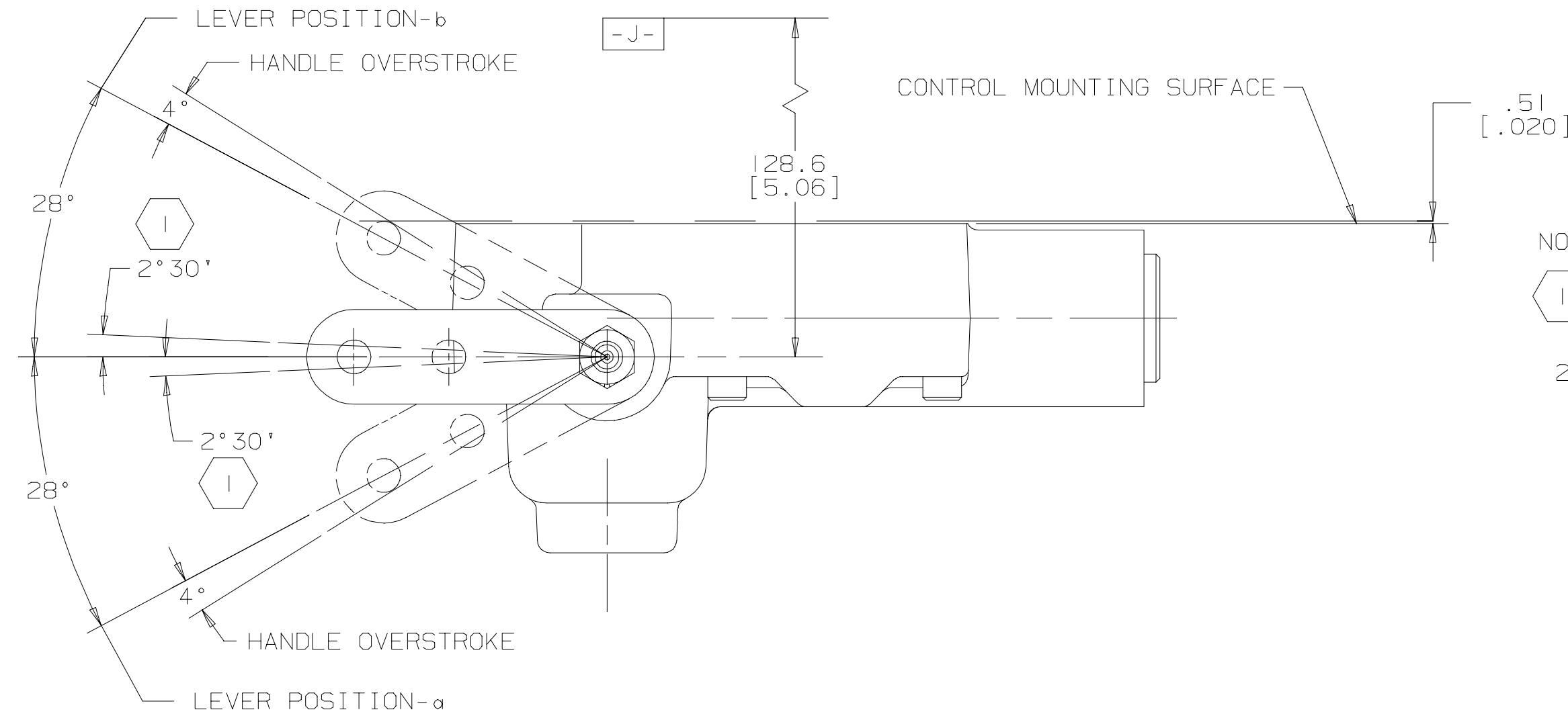


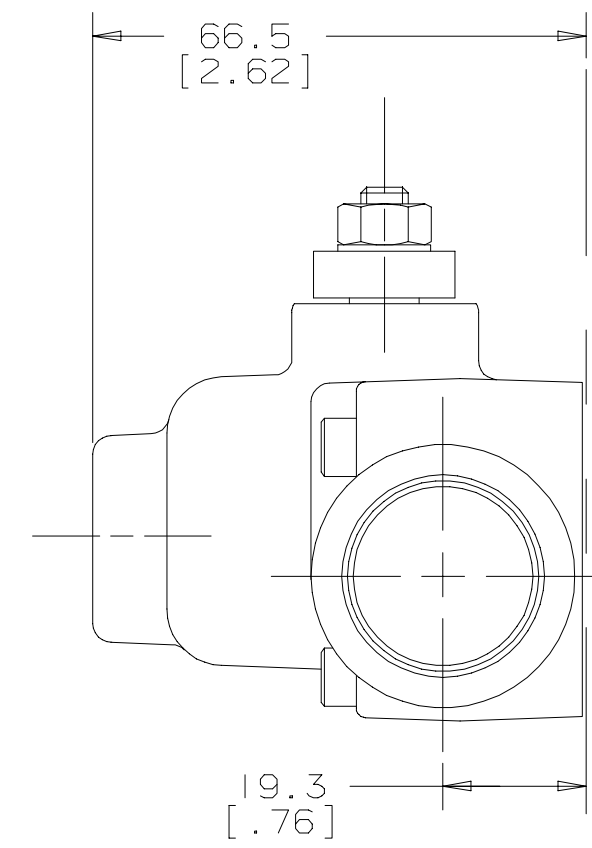
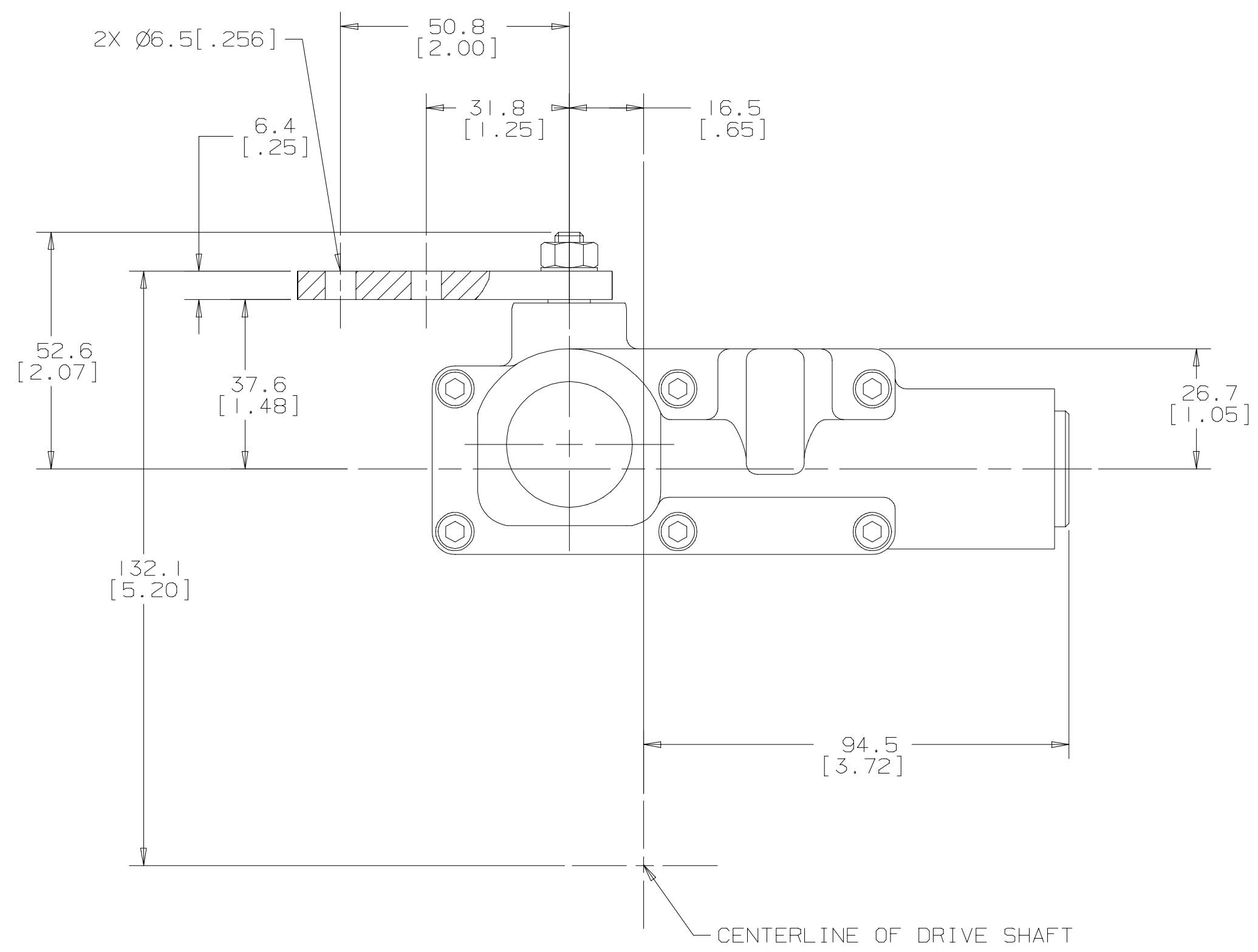
SYM	REVISION	BY	DATE	ECN
A	ENGINEERING RELEASE	I JH	3-11-92	21468
B	REVISED	JMS	2-2-95	26368



NOTE

1 NEUTRAL ZONE (2° 30")

2 RIGHT HAND (CLOCKWISE) ROTATION
LEVER POSITION-a ----- PORT-A FLOW FROM SYSTEM PRESSURE
LEVER POSITION-b ----- PORT-B FLOW FROM SYSTEM PRESSURE
LEFT HAND (COUNTER CLOCKWISE) ROTATION
LEVER POSITION-a ----- PORT-B FLOW FROM SYSTEM PRESSURE
LEVER POSITION-b ----- PORT-A FLOW FROM SYSTEM PRESSURE



GSH

UNLESS OTHERWISE SPECIFIED ALL DIMENSIONS ARE IN INCHES <input type="checkbox"/> MILLIMETERS <input checked="" type="checkbox"/> TOLERANCES .x ± .xx ± REF .xxx ± ONLY < ±	DRAWING BASED ON ANSI Y14.5M-1982	
	THE REPRODUCTION, DISTRIBUTION, AND UTILIZATION OF THIS DOCUMENT, AS WELL AS THE COMMUNICATION OF ITS CONTENTS TO OTHERS WITHOUT EXPLICIT AUTHORIZATION IS PROHIBITED. OFFENDERS WILL BE HELD LIABLE FOR THE PAYMENT OF DAMAGES. ALL RIGHTS RESERVED IN THE EVENT OF THE GRANT OF A PATENT, UTILITY MODEL, OR DESIGN. (PER ISO 16016)	
UNDESIGNATED RADII ARE ---	DRAWN BY/DATE IJH 8-6-91 CHECKED BY/DATE DLL 4-24-92 ENGRG BY/DATE RCH 4-29-92 METALLURGY BY/DATE ---	MATERIAL/HEAT TREAT TITLE SERVO CONTROL INSTALLATION
UNDESIGNATED DRAFT ANGLES ARE ---	 THIRD ANGLE PROJECTION DO NOT SCALE	NUMBER A-387-001 SCALE / SHEET OF

