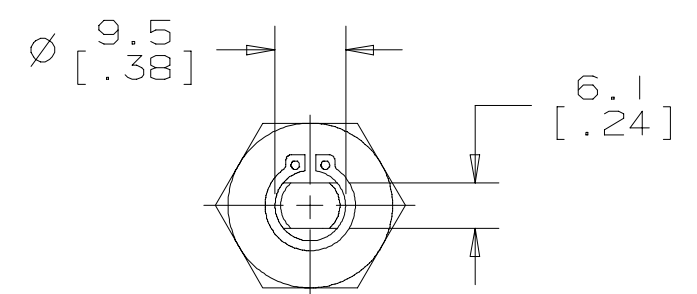
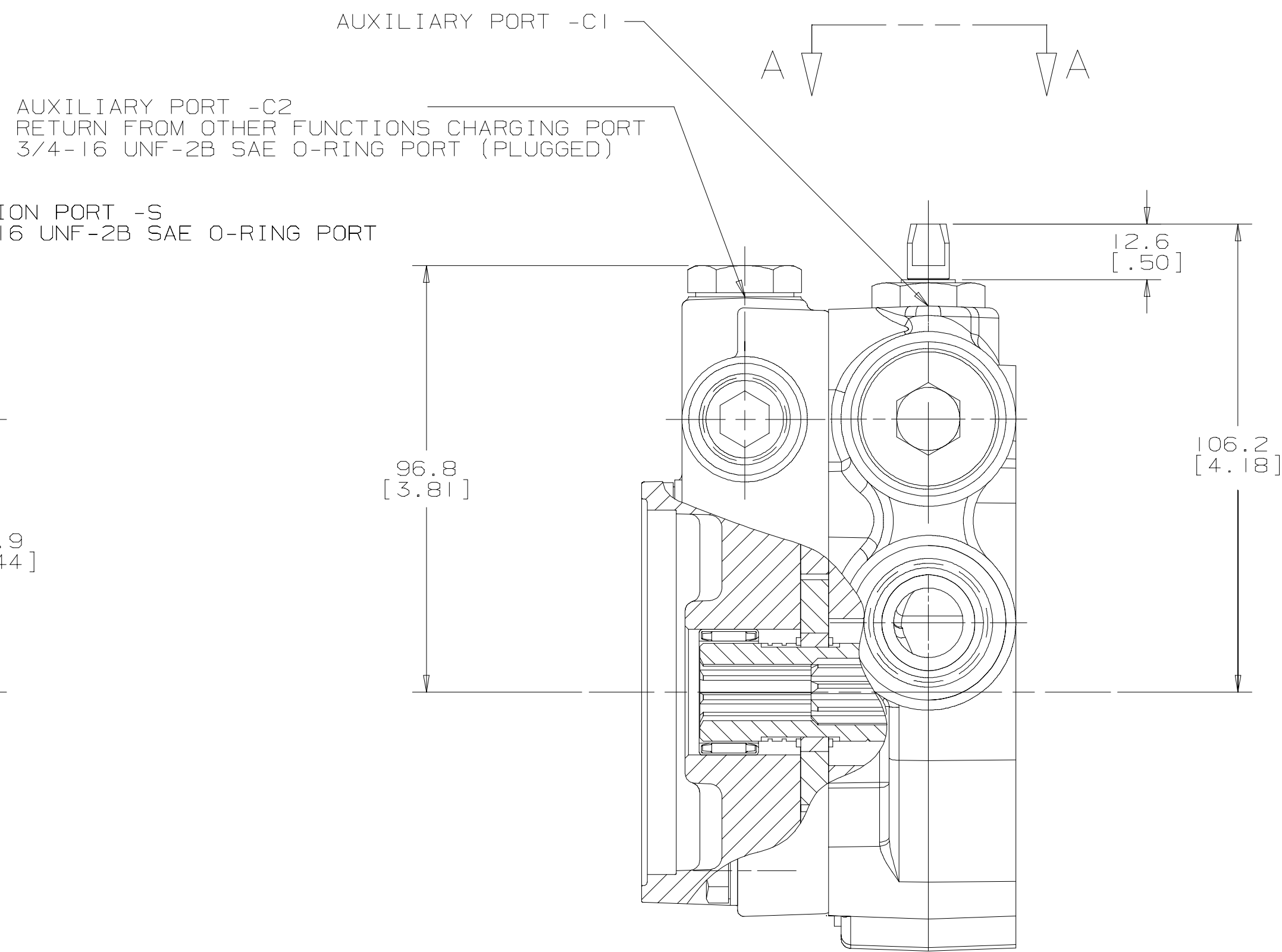
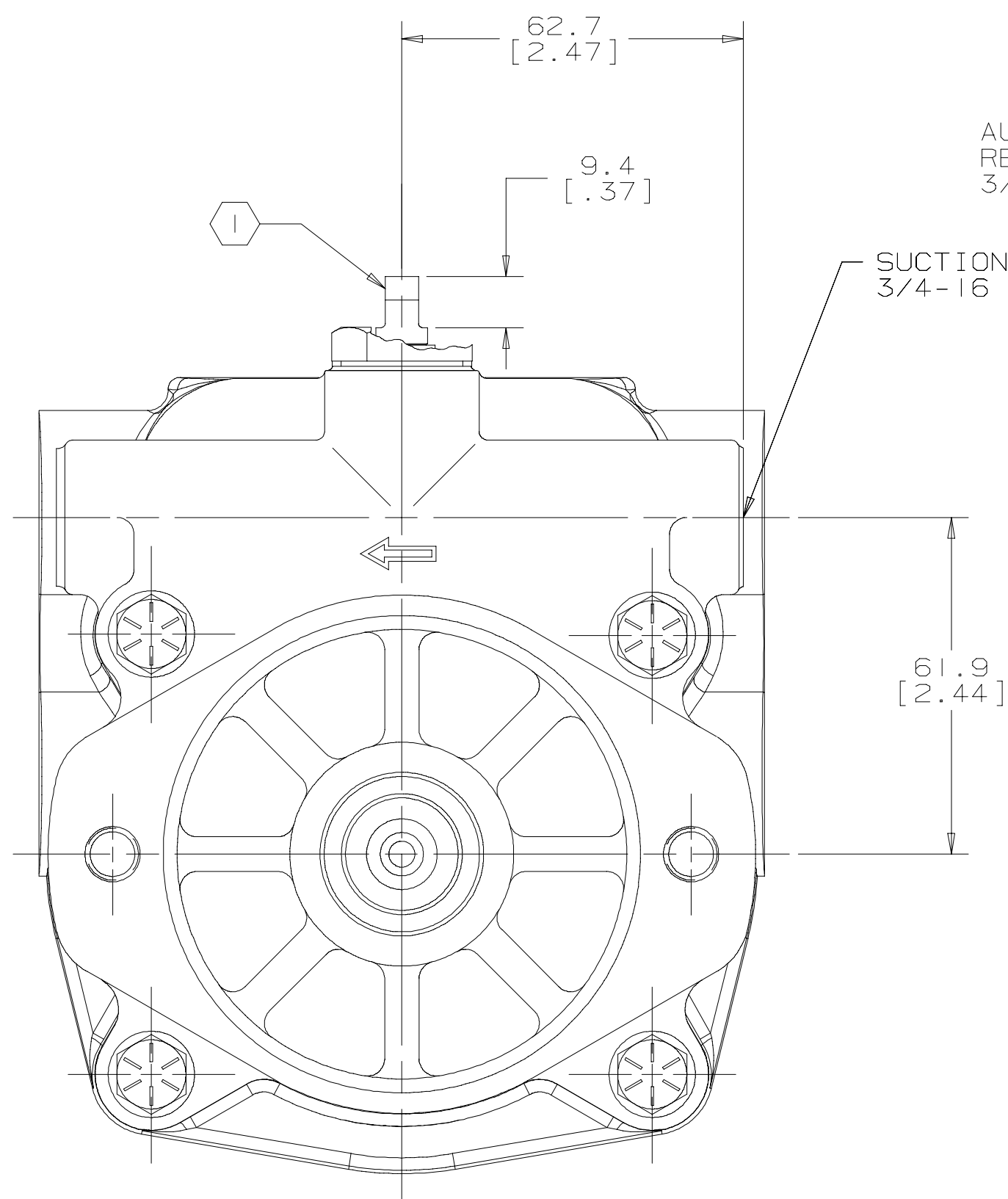


REV	DESCRIPTION	BY	CHK	DATE	ECN
A	ENGINEERING RELEASE	DLL	SSW	1-11-00	M22683
B	REVISED	DLL	SSW	10-2-00	36543



VIEW A-A

NOTE
 1 CAUTION
 THIS BYPASS VALVE TO BE USED IN CASE OF EMERGENCY ONLY
 EXCESS TOWING MAY DAMAGE HYDRAULIC SYSTEM
 BEFORE TOWING VEHICLE TURN VALVE 90° TO DECLUTCH
 DO NOT TURN WHILE MACHINE IS RUNNING

UNLESS OTHERWISE SPECIFIED ALL DIMENSIONS ARE IN INCHES <input type="checkbox"/> MILLIMETERS <input checked="" type="checkbox"/>		DRAWING BASED ON ANSI Y14.5M-1982	
TOLERANCES .X ± --- .XX ± --- .XXX ± --- < ± ---		THE REPRODUCTION, DISTRIBUTION, AND UTILIZATION OF THIS DOCUMENT, AS WELL AS THE COMMUNICATION OF ITS CONTENTS TO OTHERS WITHOUT EXPLICIT AUTHORIZATION IS PROHIBITED. OFFENDERS WILL BE HELD LIABLE FOR THE PAYMENT OF DAMAGES. ALL RIGHTS RESERVED IN THE EVENT OF THE GRANT OF A PATENT, UTILITY MODEL, OR DESIGN. (PER ISO 16016)	
UNSPECIFIED RADII ARE ---		DRAWN BY/DATE DLL 2-11-00	
UNSPECIFIED DRAFT ANGLES ARE ---		CHECKED BY/DATE SSW 3-17-00	
DRAWING FORMAT CADD <input checked="" type="checkbox"/> MANUAL <input type="checkbox"/>		ENGRG BY/DATE SSW 3-17-00	
THIRD ANGLE PROJECTION		METALLURGY BY/DATE ---	
DO NOT SCALE		MATERIAL/HEAT TREAT	
ARITHMETICAL AVERAGE		TITLE PORT INSTALLATION	
SCALE 1/1		NUMBER A-433-036	
SHEET 1 OF 1			

