

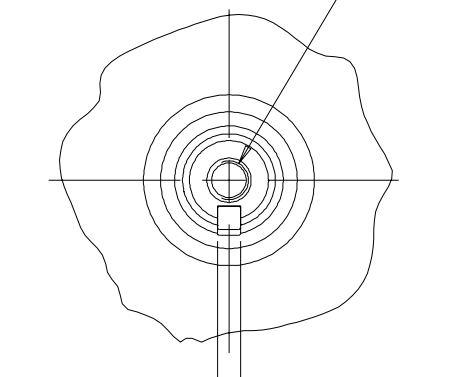
REV	DESCRIPTION	BY	CHK	DATE	ECN
A	ENGINEERING RELEASE	SDR	SDR	5/19/05	M64313B

NOTE
 1 UNIT MUST BE INSTALLED IN SUCH A POSITION THAT THE CASE DRAIN ASSURES AN OIL LEVEL AT OR ABOVE UNIT CENTERLINE. OIL LEVEL MUST BE AT CENTERLINE OR ABOVE BEFORE STARTING

CAUTION THIS BYPASS VALVE IS TO BE USED IN CASE OF EMERGENCY ONLY. EXCESS TOWING MAY DAMAGE HYDRAULIC SYSTEM. BEFORE TOWING VEHICLE TURN VALVE 90° TO DE-CLUTCH. DO NOT TURN WHILE MACHINE IS RUNNING.

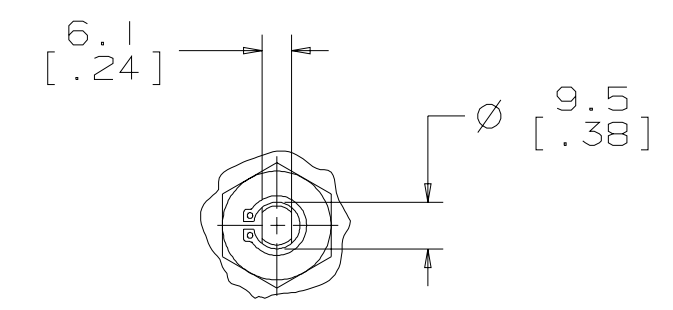
(AUXILIARY PORT)
 CHARGE PRESSURE INLET -C2
 3/4-16 UNF-2B
 SAE O-RING PORT

5/16-24 UNF-2B ∇ 12.2 [.48]
 MINIMUM FULL THREAD



4.724±0.038
 [.1860±.0015] KEY

VIEW A-A



VIEW B-B

22.63
 [.891] MIN EFFECTIVE TAPER LENGTH

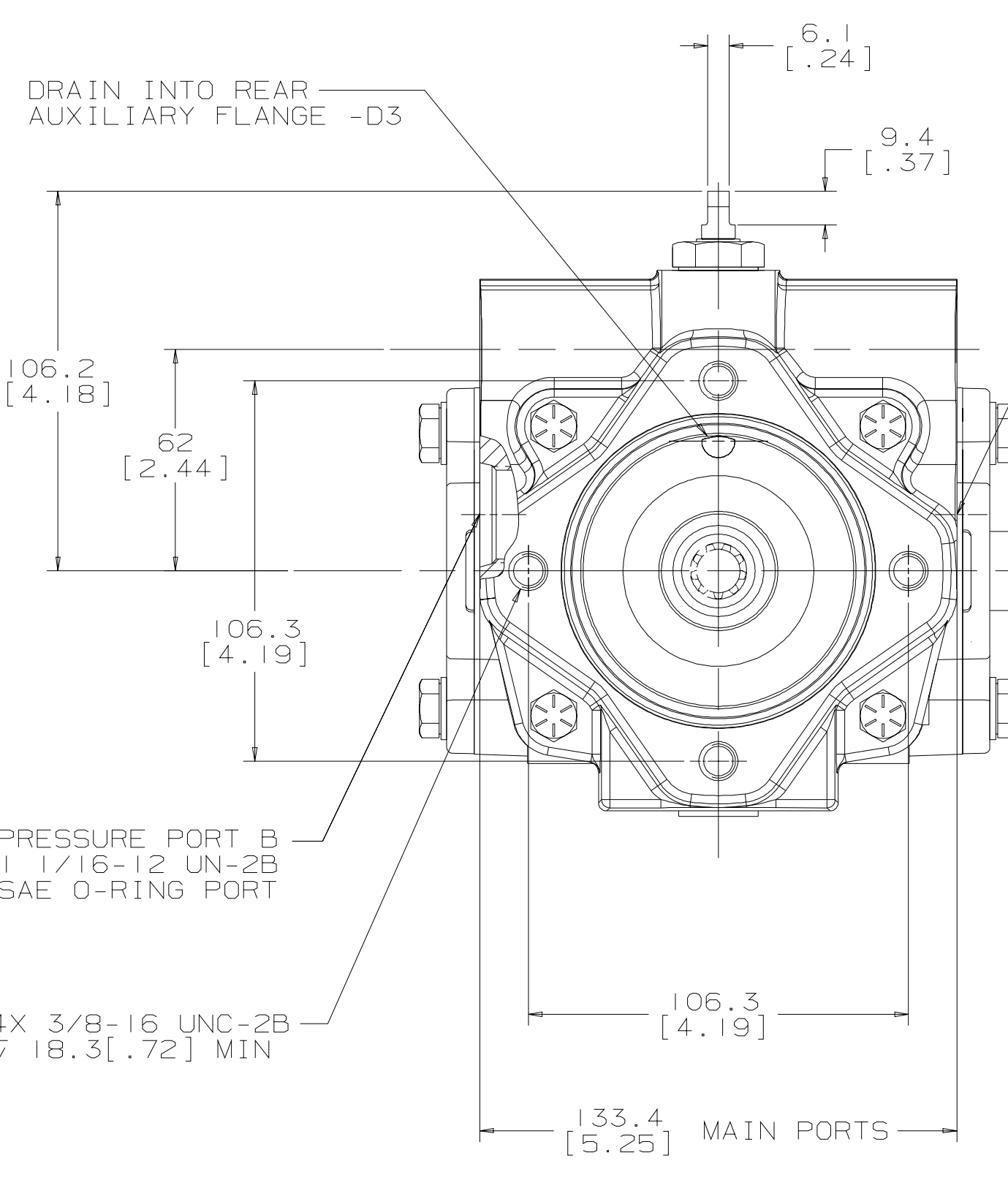
ϕ 16.15±0.13
 [.636±.005]

69.8
 [2.75]

ϕ 82.52±0.03
 [3.249±.001]

13 TOOTH 16/32 PITCH
 30° INVLT FLAT ROOT CLASS 1
 SIDE FIT SPLINE SAE J498b

CASE DRAIN PORT -D1 (TOP)



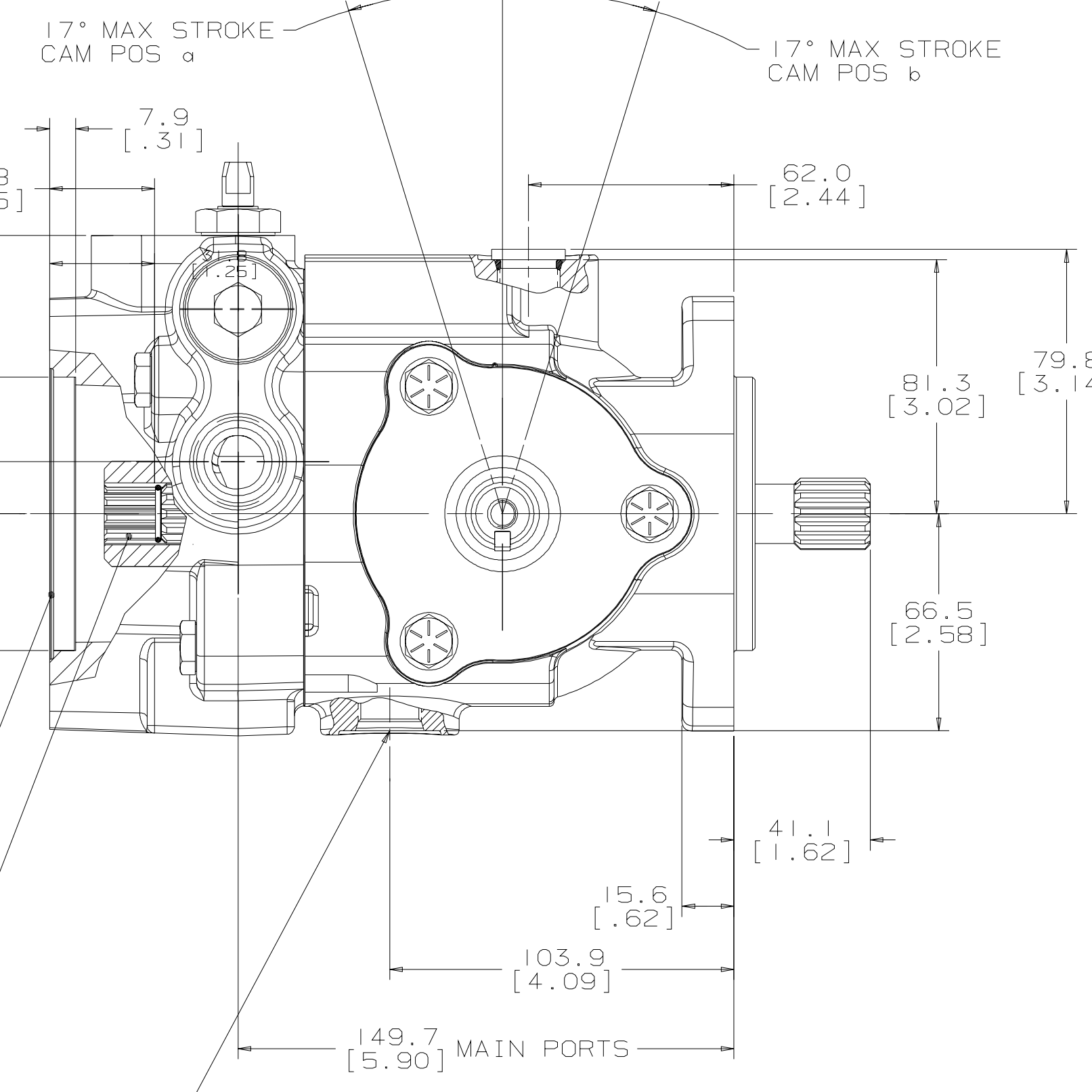
PRESSURE PORT A
 1 1/16-12 UN-2B
 SAE O-RING PORT

GROOVE TO ACCEPT A5568A
 SIZE O42 [1/16 X 3 1/4 ID]
 O-RING

11 TOOTH 16/32 P 30°
 INVLT FLAT ROOT CLASS 1
 SIDE FIT SPLINE SAE J498b

ADDITIONAL UNITS DRIVEN BY
 THIS SPLINE MUST NOT REQUIRE
 MORE THAN 118 N·m [1050 lbf·in]
 OF TORQUE

CASE DRAIN PORT -D2
 3/4-16 UNF-2B
 SAE O-RING PORT

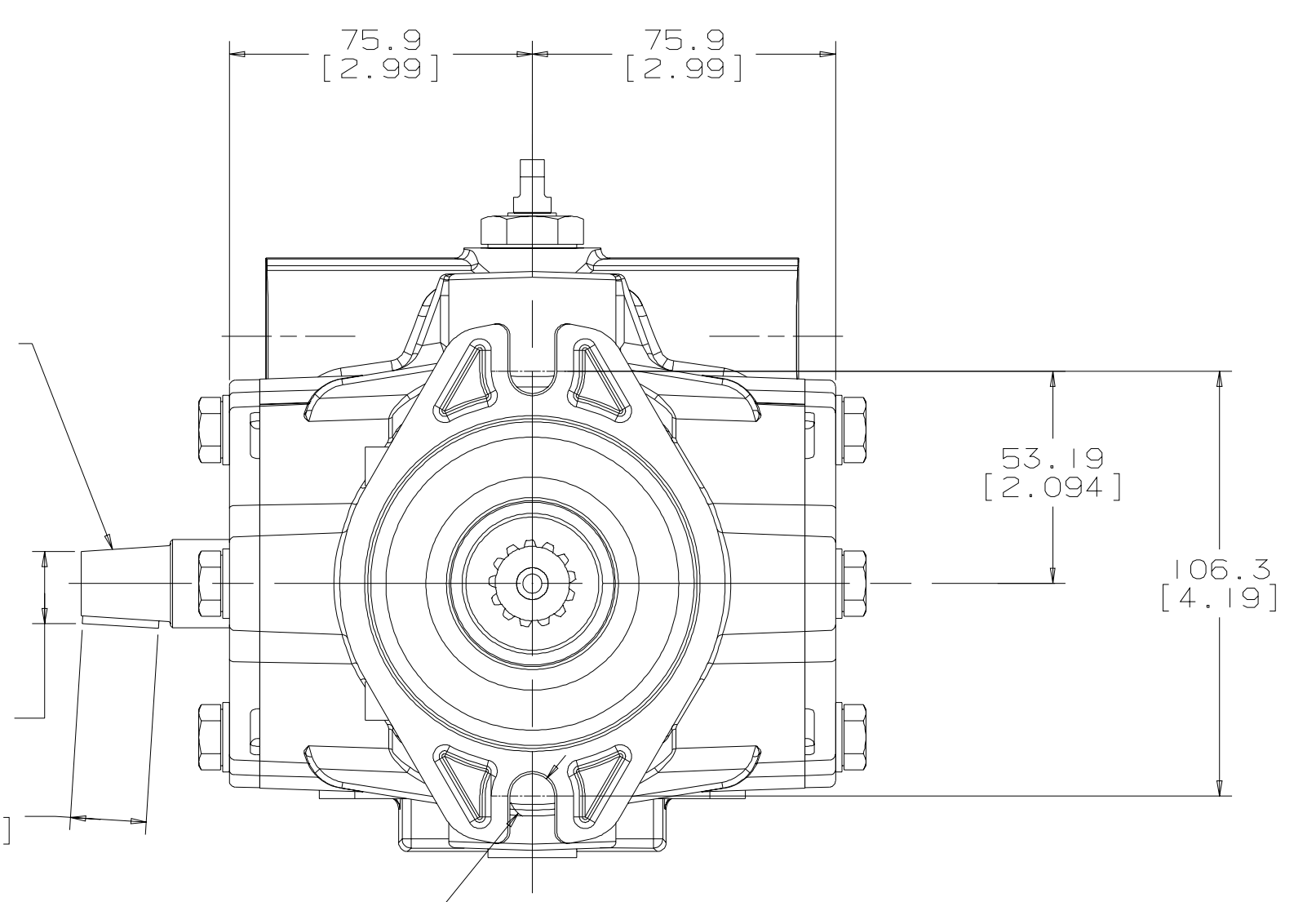


125:1

18.16±0.13
 [.715±.005]

19 [.75]

2X ϕ 11.2±.5
 [.44±.02]



UNLESS OTHERWISE SPECIFIED ALL DIMENSIONS ARE IN		DRAWING BASED ON ANSI Y14.5M-1982	
INCHES <input type="checkbox"/>		THE REPRODUCTION, DISTRIBUTION, AND UTILIZATION OF THIS DOCUMENT, AS WELL AS THE COMMUNICATION OF ITS CONTENTS TO OTHERS WITHOUT EXPLICIT AUTHORIZATION IS PROHIBITED. OFFENDERS WILL BE HELD LIABLE FOR THE PAYMENT OF DAMAGES. ALL RIGHTS RESERVED IN THE EVENT OF THE GRANT OF A PATENT, UTILITY MODEL, OR DESIGN. (PER ISO 16016)	
MILLIMETERS <input checked="" type="checkbox"/>			
TOLERANCES		MATERIAL/HEAT TREAT DRAWN BY/DATE SDR 5/23/05 CHECKED BY/DATE SDR 5/23/05 ENGR BY/DATE SDR 5/23/05 METALLURGY BY/DATE	
.X #----		TITLE	
.XX #----		SERIES 160 PISTON PUMP INSTALLATION	
.XXX #----		MICROINCHES <input type="checkbox"/> NUMBER DRAFT ANGLES ARE <input type="checkbox"/> THIRD ANGLE PROJECTION <input checked="" type="checkbox"/> (MICROINCHES)	
UNSPECIFIED RADI ARE		ARITHMETICAL AVERAGE SCALE 1/1 SHEET 1 OF 1	
UNSPECIFIED DRAFT ANGLES ARE		DO NOT SCALE	
DRAWING FORMAT CAD <input checked="" type="checkbox"/> MANUAL <input type="checkbox"/>			

