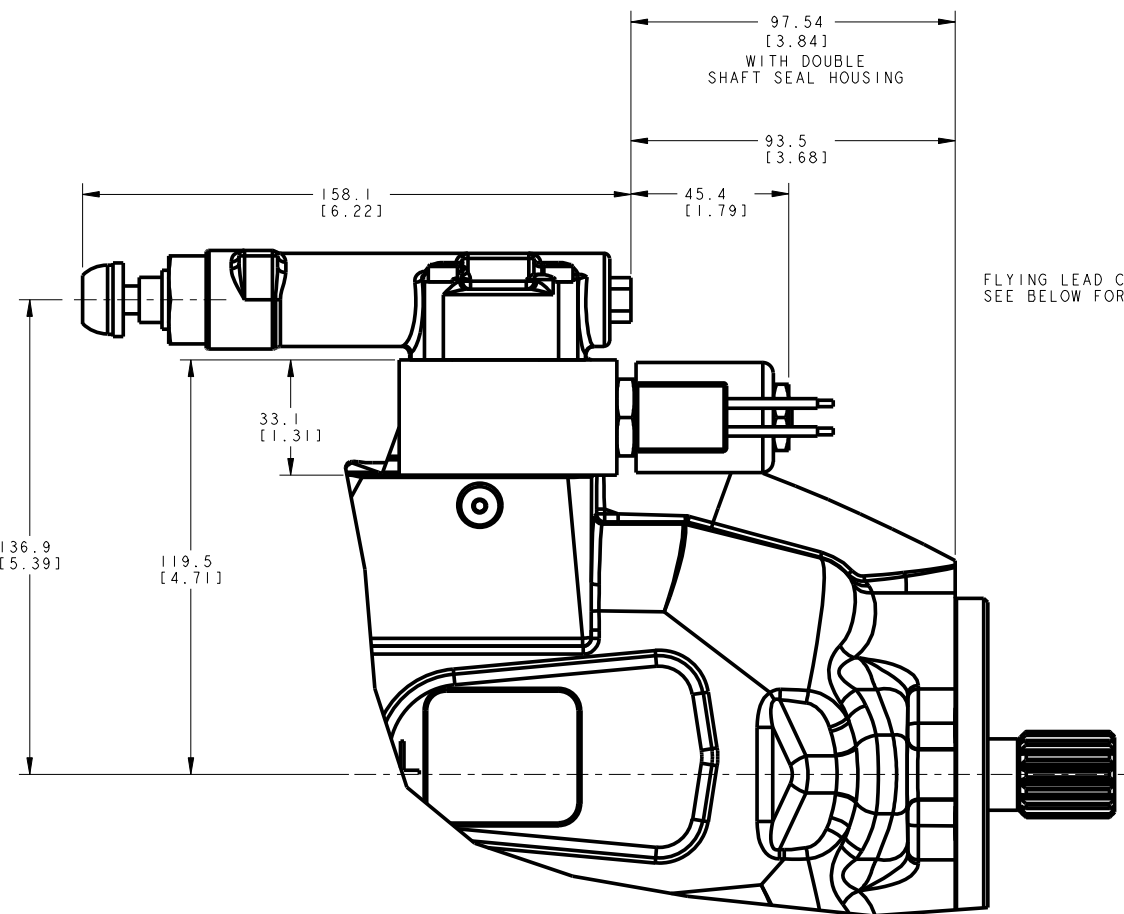
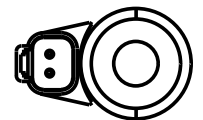
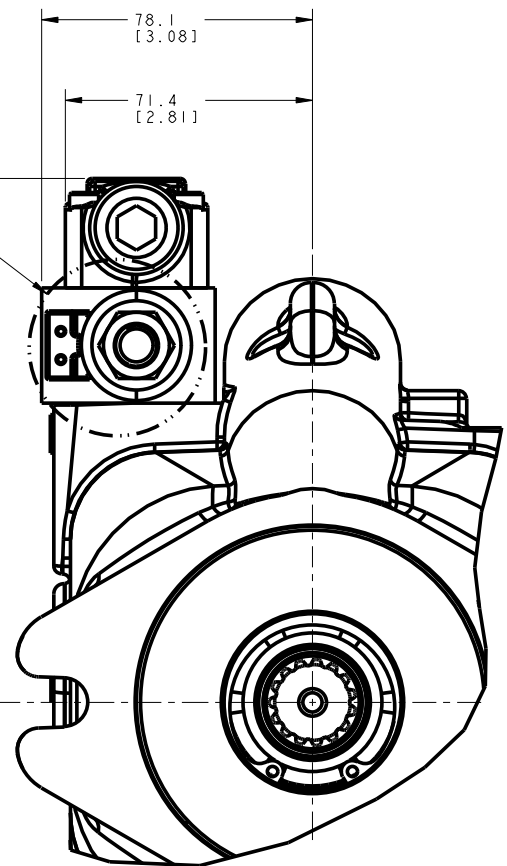


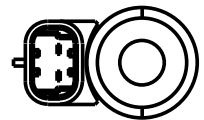
REV	DESCRIPTION	BY	CHK	DATE	ECN / MPS
A	RELEASE FOR SAMPLES AND ESTIMATES	NWS	DZ	05-28-08	0018094



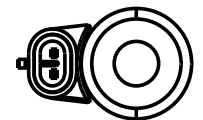
FLYING LEAD COIL SHOWN
SEE BELOW FOR OPTIONS



DEUTSCH OPTION



METRI-PACK 280 OPTION



METRI-PACK 150 OPTION

REVIEWED FOR CLASSIFICATION PER ESP-042

DISTRIBUTION CODE(S)

UNLESS OTHERWISE SPECIFIED ALL DIMENSIONS ARE IN INCHES

MILLIMETERS (INCHES)

TOLERANCES

.X ± ----

.XX ± REF

.XXX ± ONLY

< ± ----

UNSPECIFIED RADII ARE:

UNSPECIFIED DRAFT ANGLES ARE:

THE REPRODUCTION, DISTRIBUTION, AND UTILIZATION OF THIS DOCUMENT, AS WELL AS THE COMMUNICATION OF ITS CONTENTS TO OTHERS WITHOUT EXPLICIT AUTHORIZATION IS PROHIBITED. OFFENDERS WILL BE HELD LIABLE FOR THE PAYMENT OF DAMAGES. ALL RIGHTS RESERVED IN THE EVENT OF THE GRANT OF A PATENT, UTILITY MODEL, OR DESIGN. (PER ISO 16016)

DRAWN NWS BY/DATE 5-30-08

CHECKED DJZ BY/DATE 5-30-08

ENGRG --- BY/DATE ---

METALLURGY --- BY/DATE ---

MATERIAL/HEAT TREAT

TITLE

420 PUMP PRESS. W/COLD START COMPENSATOR INSTALLATION

NUMBER

A-3235-005

SCALE 1/1 SHEET 1 OF 1

THIRD ANGLE PROJECTION DO NOT SCALE

ARITHMETICAL AVERAGE

Danfoss