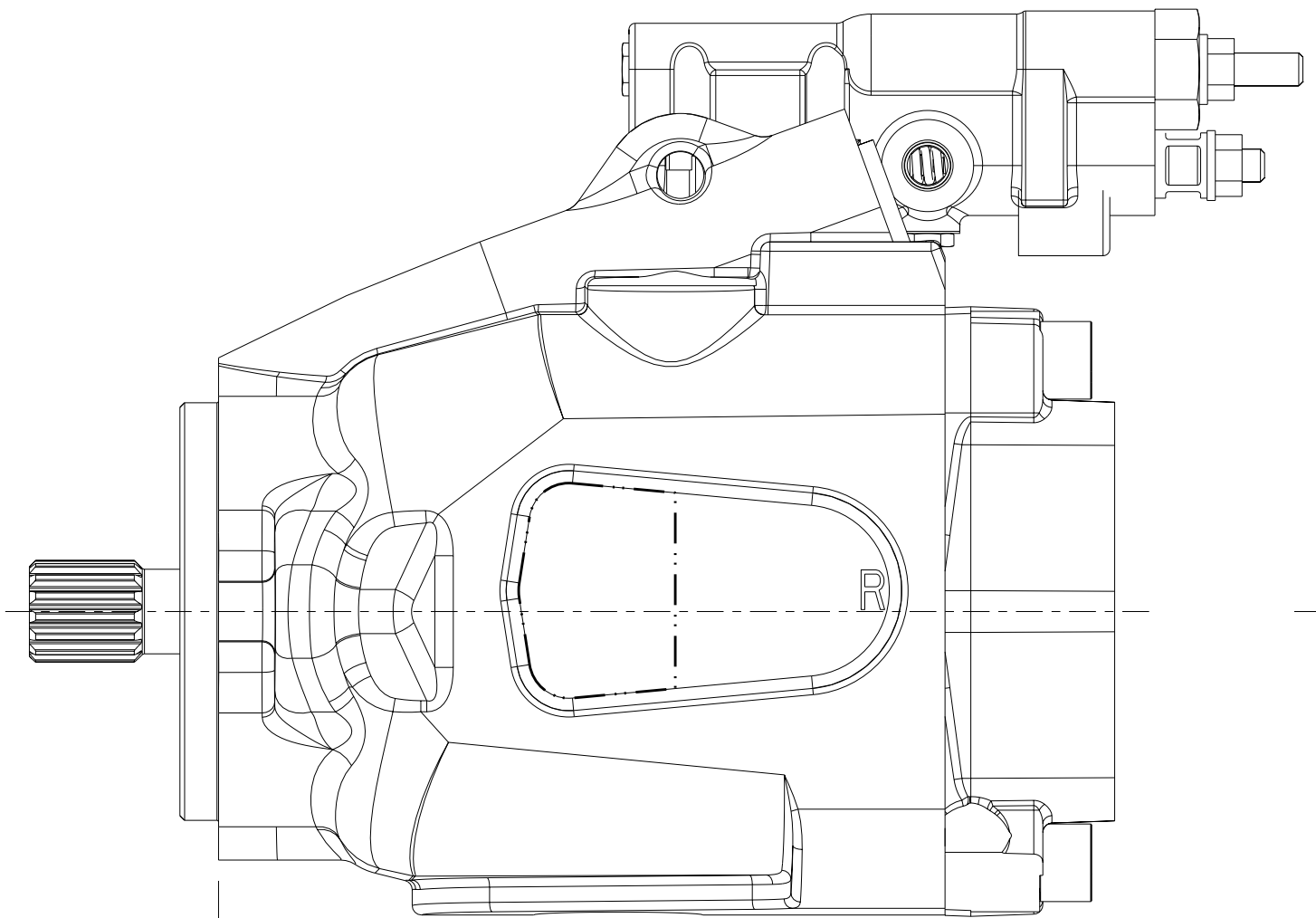


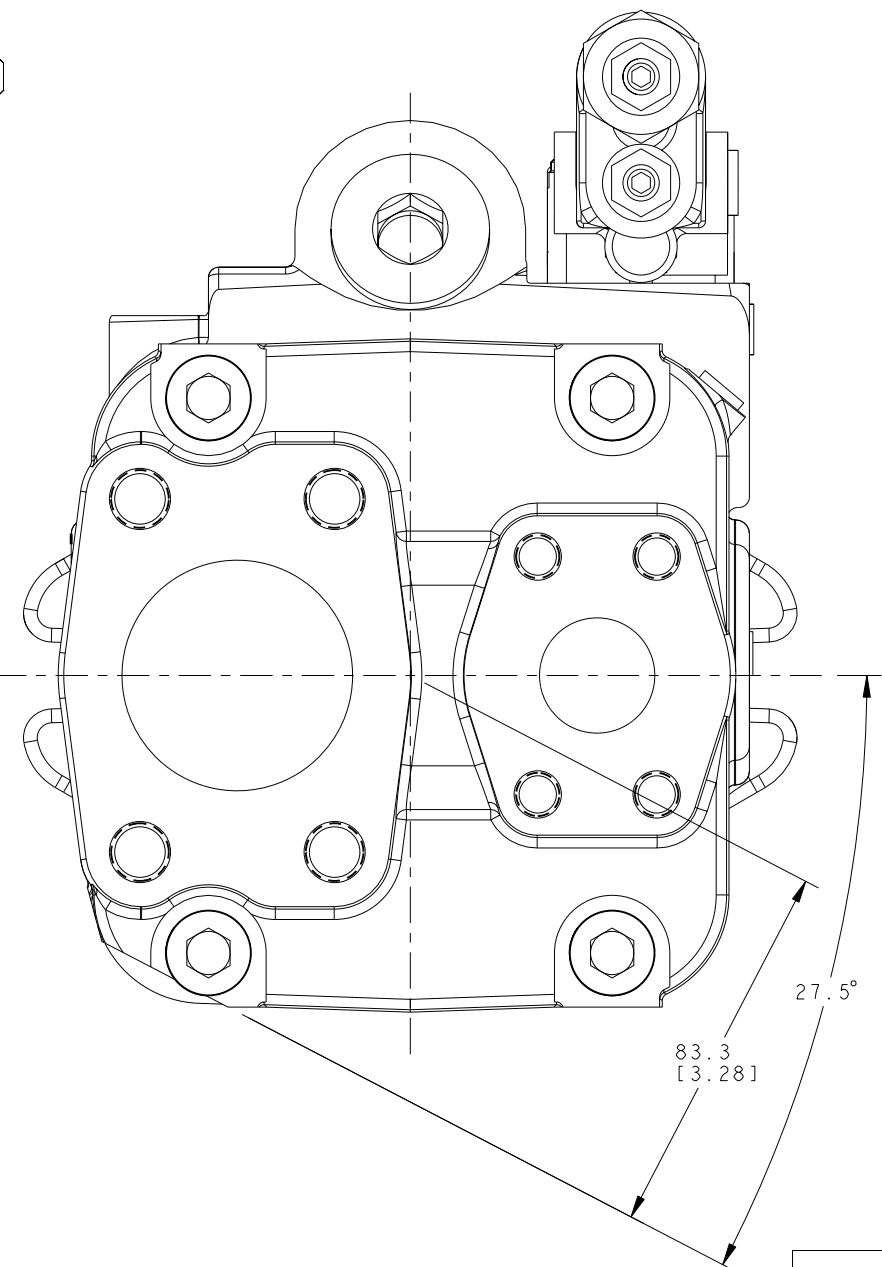
REV	DESCRIPTION	BY	CHK	DATE	ECN / MPS
A	ENGINEERING RELEASE	MKS	SDY	08-21-08	0021240



176.8
[6.96]

189.5
[7.46]

WITH DOUBLE
SEAL HOUSING



REVIEWED FOR CLASSIFICATION PER ESP-042

DISTRIBUTION CODE(S)

UNLESS OTHERWISE SPECIFIED ALL DIMENSIONS ARE IN INCHES <input type="checkbox"/> MILLIMETERS (INCHES) <input checked="" type="checkbox"/>	DRAWING BASED ON ANSI Y14.5M-1982		
	THE REPRODUCTION, DISTRIBUTION, AND UTILIZATION OF THIS DOCUMENT, AS WELL AS THE COMMUNICATION OF ITS CONTENTS TO OTHERS WITHOUT EXPLICIT AUTHORIZATION IS PROHIBITED. OFFENDERS WILL BE HELD LIABLE FOR THE PAYMENT OF DAMAGES. ALL RIGHTS RESERVED IN THE EVENT OF THE GRANT OF A PATENT, UTILITY MODEL, OR DESIGN. (PER ISO 16016)		
	TOLERANCES .X ± ---- .XX ± REF .XXX ± ONLY < ± ----	MATERIAL/HEAT TREAT DRAWN MKS BY/DATE 08-21-08 CHECKED SDY BY/DATE 08-21-08	
	UNSPECIFIED RADII ARE: ----	TITLE ENGRG DJZ BY/DATE 08-21-08 METALLURGY ---- BY/DATE ----	
UNSPECIFIED DRAFT ANGLES ARE: ----	THIRD ANGLE PROJECTION DO NOT SCALE	NUMBER A-3304-001	
C SIZE	ARITHMETICAL AVERAGE	SCALE 1/1 SHEET 1 OF 1	