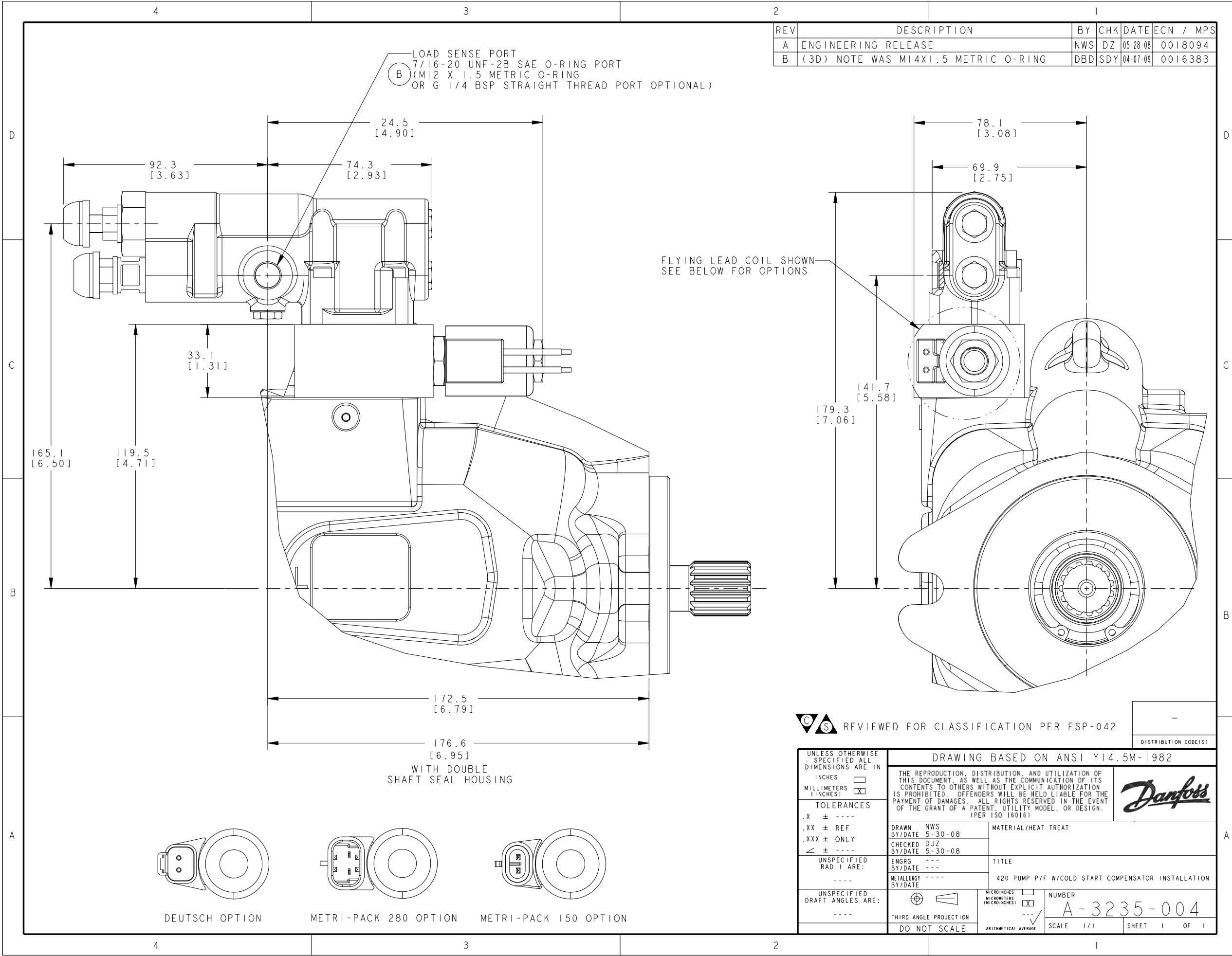


REV	DESCRIPTION	BY	CHK	DATE	ECN / MPS
A	ENGINEERING RELEASE	NWS	DZ	05-28-08	0018094
B	(3D) NOTE WAS M14X1.5 METRIC O-RING	DBD	SDY	04-07-09	0016383



REVIEWED FOR CLASSIFICATION PER ESP-042

DISTRIBUTION CODE(S)

UNLESS OTHERWISE SPECIFIED ALL DIMENSIONS ARE IN INCHES <input type="checkbox"/> MILLIMETERS <input checked="" type="checkbox"/> TOLERANCES .X ± --- .XX ± REF .XXX ± ONLY < ± --- UNSPECIFIED RADII ARE: --- UNSPECIFIED DRAFT ANGLES ARE: ---	DRAWING BASED ON ANSI Y14.5M-1982	
	THE REPRODUCTION, DISTRIBUTION, AND UTILIZATION OF THIS DOCUMENT, AS WELL AS THE COMMUNICATION OF ITS CONTENTS TO OTHERS WITHOUT EXPLICIT AUTHORIZATION IS PROHIBITED. OFFENDERS WILL BE HELD LIABLE FOR THE PAYMENT OF DAMAGES. ALL RIGHTS RESERVED IN THE EVENT OF THE GRANT OF A PATENT, UTILITY MODEL, OR DESIGN. (PER ISO 16016)	
	DRAWN NWS BY/DATE 5-30-08	MATERIAL/HEAT TREAT
	CHECKED DJZ BY/DATE 5-30-08	TITLE 420 PUMP P/F W/COLD START COMPENSATOR INSTALLATION
ENGRG --- BY/DATE ---	METALLURGY --- BY/DATE ---	NUMBER A-3235-004
THIRD ANGLE PROJECTION DO NOT SCALE	MICROINCHES <input type="checkbox"/> MICROMETERS <input checked="" type="checkbox"/> ARITHMETICAL AVERAGE	SCALE 1/1 SHEET 1 OF 1

