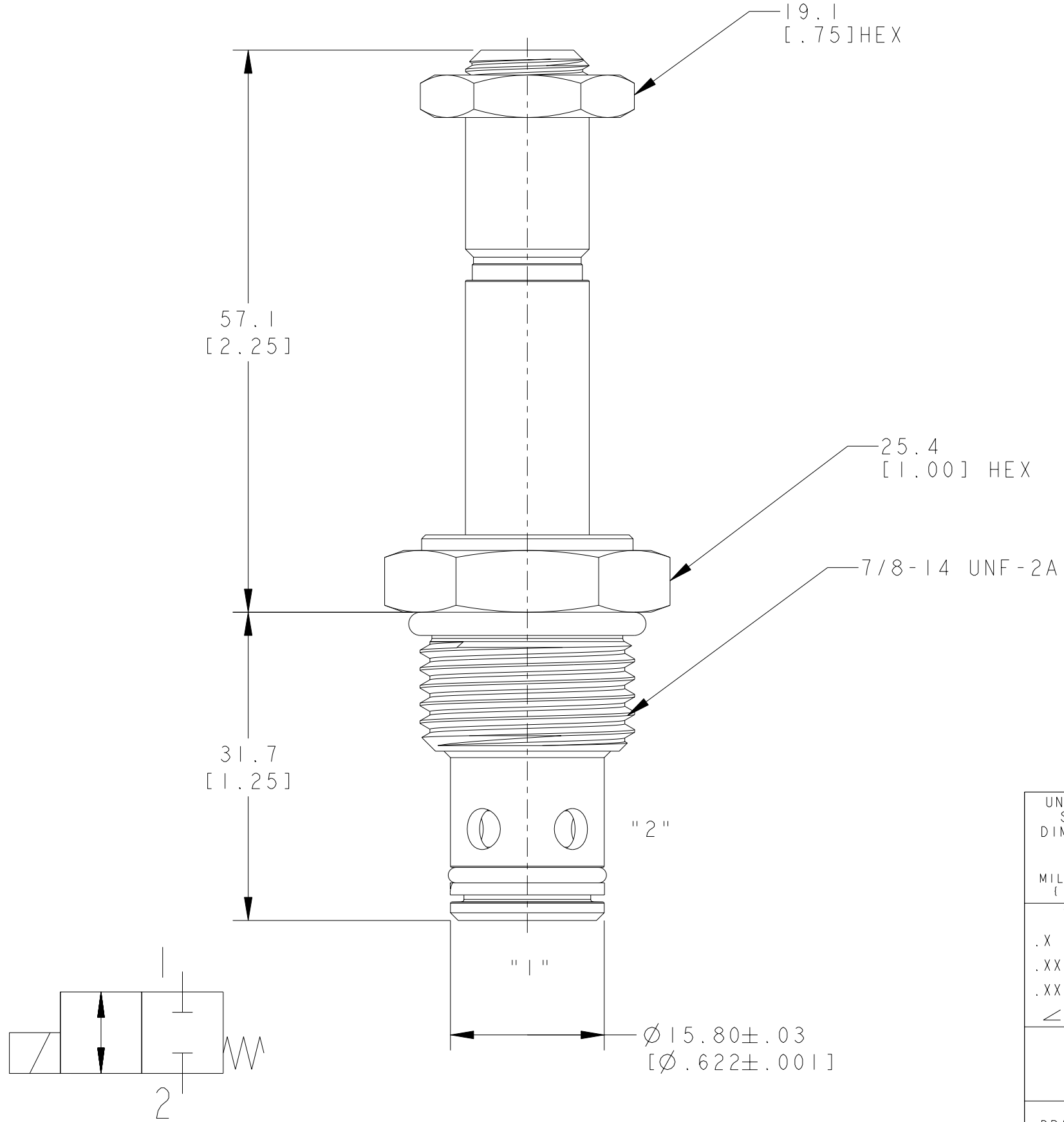


REV	DESCRIPTION	BY	CHK	DATE	ECN / MPS
A	ENGINEERING RELEASE	JGS	AH	2/12/05	M63978



NOTE:
 1 USE VALVE CAVITY C-10-2
 2 TORQUE INTO CAVITY:
 ALUMINUM CAVITY: 47-54 N.m[35-40 lbf.ft]
 STEEL CAVITY: 68-75 N.m[50-55 lbf.ft]

MC
 DISTRIBUTION CODE(S)

UNLESS OTHERWISE SPECIFIED ALL DIMENSIONS ARE IN INCHES <input type="checkbox"/> MILLIMETERS (INCHES) <input checked="" type="checkbox"/>	DRAWING BASED ON ANSI Y14.5M-1982	
	NOTICE TO PERSONS RECEIVING THIS DRAWING AND / OR TECHNICAL INFORMATION Eaton Corporation claims proprietary rights in the information disclosed hereon. This document is issued in confidence and is not to be reproduced or used to manufacture anything shown hereon without the written permission of the Eaton Corporation.	
TOLERANCES .X ± .XX ± .XXX ± < ±	DRAWN JGS BY/DATE 6/19/03 CHECKED AH BY/DATE 3/10/05	MATERIAL/HEAT TREAT \
UNSPECIFIED RADII ARE: ----	ENGRG \ BY/DATE \ METALLURGY \ BY/DATE \	TITLE SOLENOID VALVE INSTALLATION
UNSPECIFIED DRAFT ANGLES ARE: ----°	<input checked="" type="checkbox"/> THIRD ANGLE PROJECTION <input type="checkbox"/> DO NOT SCALE	MICROINCHES <input type="checkbox"/> MICROMETERS (MICROINCHES) <input checked="" type="checkbox"/> ARITHMETICAL AVERAGE <input checked="" type="checkbox"/>
B SIZE	NUMBER A-2416-059	SCALE 2/1 SHEET 1 OF 1

