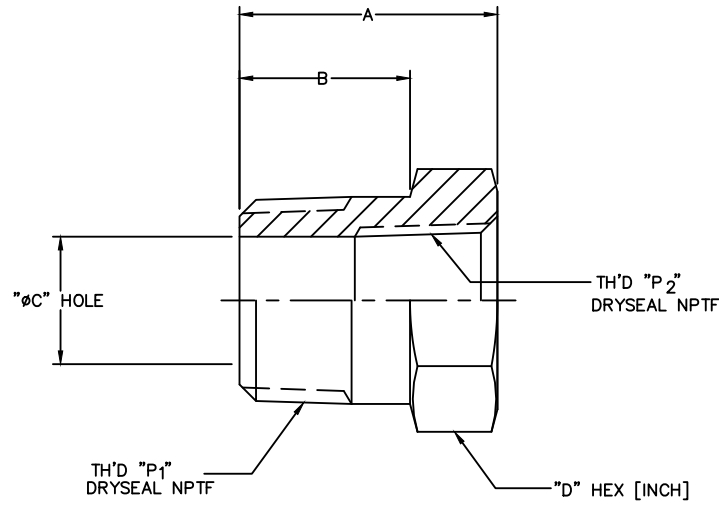


AEROQUIP PART NUMBER	WEATHERHEAD PART NUMBER	TH'D "P ₁ "	TH'D "P ₂ "	A REF	B REF	C REF	D REF
259-2081-4-2	3121X4X2	1/4-18	1/8-27	21.6 [.85]	14.7 [.58]	7.1 [.28]	5/8
259-2081-6-2	3121X6X2	3/8-18	1/8-27	21.6 [.85]	14.7 [.58]	7.6 [.30]	3/4
259-2081-6-4	3121X6X4	3/8-18	1/4-18	25.4 [1.00]	14.7 [.58]	10.4 [.41]	3/4
259-2081-8-4	3121X8X4	1/2-14	1/4-18	27.9 [1.10]	19.3 [.76]	9.9 [.39]	7/8
259-2081-8-6	3121X8X6	1/2-14	3/8-18	28.4 [1.12]	19.3 [.76]	13.5 [.53]	7/8
259-2081-12-4	3121X12X4	3/4-14	1/4-18	29.7 [1.17]	19.3 [.76]	9.9 [.39]	1 1/8
259-2081-12-8	3121X12X8	3/4-14	1/2-14	34.5 [1.36]	19.3 [.76]	16.8 [.66]	1 1/8
259-2081-16-8	3121X16X8	1-11 1/2	1/2-14	34.5 [1.36]	24.4 [.96]	17 [.67]	1 3/8
259-2081-16-12	3121X16X12	1-11 1/2	3/4-14	37.8 [1.49]	24.4 [.96]	22.4 [.88]	1 3/8
259-2081-32-16	3121X32X16	2-11 1/2	1-11 1/2	44.4 [1.75]	26.5 [1.04]	27 [1.06]	2 1/2
259-2081-32-20	3121X32X20	2-11 1/2	1 1/4-11 1/2	44.4 [1.75]	26.5 [1.04]	36.5 [1.44]	2 1/2

REVISIONS			
REV	DESCRIPTION	DATE	APPROVED
E	REDRAWN, UPDATED TO DANFOSS FORMAT & DIMENSION STYLE. 1) ADDED WEATHERHEAD PART NUMBERS. 2) ADDED PART NUMBERS "259-2081-6-2", "259-2081-12-4" & "259-2081-16-8".	2010-08-30 VSP/DHS	0045372-ECO DP-1299
F	1) ADDED PART NUMBERS "259-2081-32-16", "259-2081-32-20"	2012-04-12 NUD/PSW	0068589-ECO

Ⓢ



METRIC

2. MATERIAL: AISI 316 STAINLESS STEEL.
1. DIMENSIONS ARE IN MILLIMETERS [INCHES].

DRAWN V. PATIL CHECKED D. SHEWALE APPROVED J. SNYDER RELEASE DATE 2010-08-30 0045372-ECO DP-1299	FLUID CONVEYANCE DIVISION DRAWING TITLE ADAPTER REDUCER BUSHING (SAE #140140)
THIRD ANGLE PROJECTION 	SIZE A2 SCALE NONE DIST U CAGE CODE 01276 SHEET 1
DRAWING NUMBER 259-2081 REV F	
THE REPRODUCTION, DISTRIBUTION AND UTILIZATION OF THIS DOCUMENT AS WELL AS THE COMMUNICATION OF ITS CONTENTS TO OTHERS WITHOUT EXPLICIT AUTHORIZATION IS PROHIBITED. OFFENDERS WILL BE HELD LIABLE FOR THE PAYMENT OF DAMAGES. ALL RIGHT RESERVED IN THE EVENT OF THE GRANT OF A PATENT, UTILITY MODEL OR DESIGN. (PER ISO 16016)	

DWG. NO. 259-2081
SHEET 1 OF 1