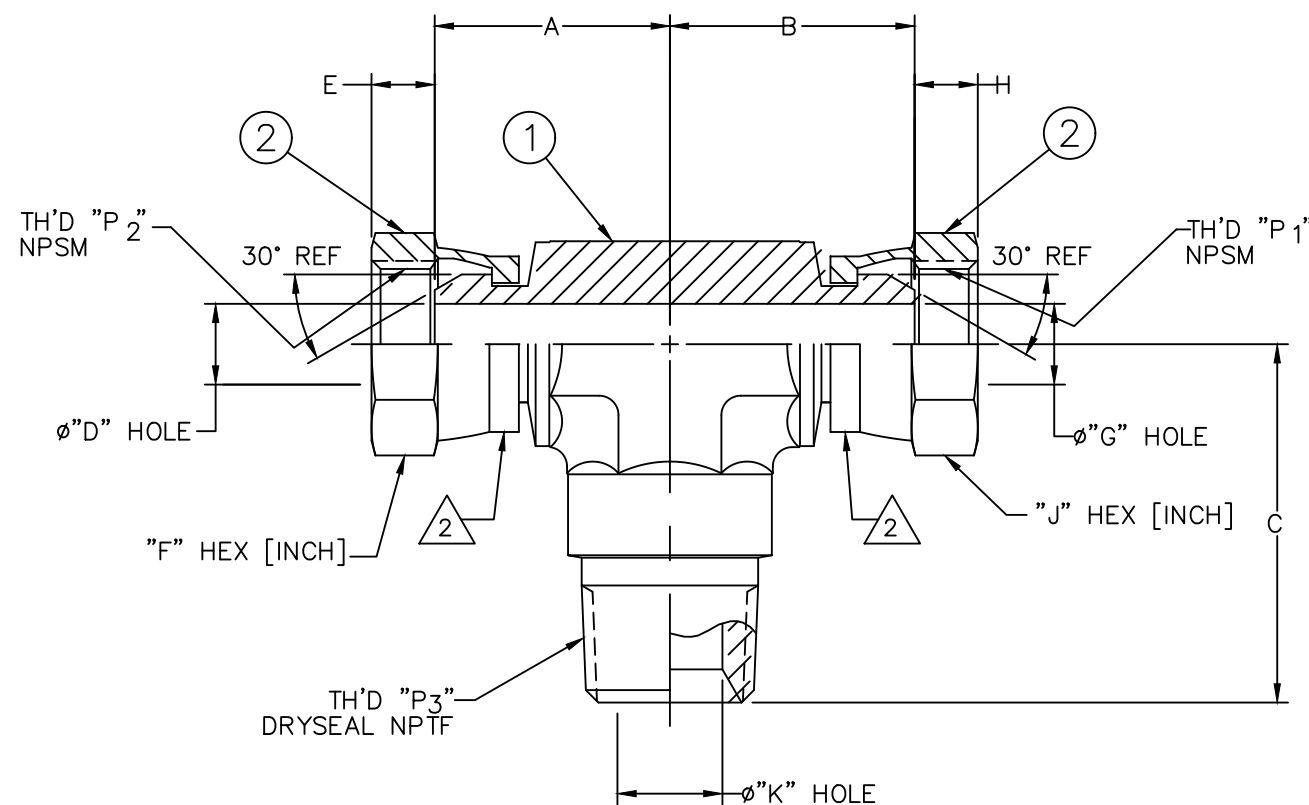


AEROQUIP PART NUMBER	WEATHERHEAD PART NUMBER	TH'D "P ₁ "	TH'D "P ₂ "	TH'D "P ₃ "	A REF	B REF	C REF	D REF	E REF	F REF	G REF	H REF	J REF	K REF
2254-2-2S	9406X2X2X2	1/8-27	1/8-27	1/8-27	18 [.71]	18 [.71]	23.4 [.92]	3.8 [.15]	4.8 [.19]	9/16	3.8 [.15]	4.8 [.19]	9/16	4.8 [.19]
2254-4-4S	9406X4X4X4	1/4-18	1/4-18	1/4-18	22.4 [.88]	22.4 [.88]	27.7 [1.09]	5.6 [.22]	4.6 [.18]	11/16	5.6 [.22]	4.6 [.18]	11/16	7.1 [.28]
2254-4-6S	9406X4X4X6	1/4-18	1/4-18	3/8-18	25.1 [.99]	25.1 [.99]	31 [1.22]	5.6 [.22]	6.4 [.25]	11/16	5.6 [.22]	6.4 [.25]	11/16	10.4 [.41]
2254-4-8S	9406X4X4X8	1/4-18	1/4-18	1/2-14	25.9 [1.02]	25.9 [1.02]	37.3 [1.47]	5.6 [.22]	4.6 [.18]	11/16	5.6 [.22]	4.6 [.18]	11/16	13.5 [.53]
2254-6-6S	9406X6X6X6	3/8-18	3/8-18	3/8-18	27.7 [1.09]	27.7 [1.09]	38.9 [1.53]	8.6 [.34]	6.4 [.25]	7/8	8.6 [.34]	6.4 [.25]	7/8	10.4 [.41]
2254-6-8S	9406X6X6X8	3/8-18	3/8-18	1/2-14	27.7 [1.09]	27.7 [1.09]	37.3 [1.47]	8.6 [.34]	6.4 [.25]	7/8	8.6 [.34]	6.4 [.25]	7/8	13.5 [.53]
2254-8-8S	9406X8X8X8	1/2-14	1/2-14	1/2-14	27.9 [1.10]	27.9 [1.10]	37.3 [1.47]	11.7 [.46]	7.1 [.28]	1	11.7 [.46]	7.1 [.46]	1	13.5 [.53]
2254-8-12S	9406X8X8X12	1/2-14	1/2-14	3/4-14	30.2 [1.19]	30.2 [1.19]	50.8 [2.00]	11.7 [.46]	8.4 [.33]	1	11.7 [.46]	8.4 [.33]	1	18.3 [.72]
2254-12-12S	9406X12	3/4-14	3/4-14	3/4-14	34.5 [1.36]	34.5 [1.36]	51.6 [2.03]	16.3 [.64]	7.6 [.30]	1 1/4	16.3 [.64]	7.6 [.30]	1 1/4	18.3 [.72]
2254-16-16S	9406X16X16X16	1-11 1/2	1-11 1/2	1-11 1/2	39.1 [1.54]	39.1 [1.54]	50 [1.97]	20.1 [.79]	8.6 [.34]	1 1/2	20.1 [.79]	8.6 [.34]	1 1/2	23.9 [.94]

REVISIONS			
REV	DESCRIPTION	DATE	APPROVED
B	REDRAWN AND REDESIGNED	2014-04-18 MBK/VSP	0096112-ECO
C	1) ADDED PART #2254-4-4S.	2016-01-21 HLV	0118302-ECO
D	CREATED ALTERNATIVE LANGUAGE DRAWING. 1) ADDED ALTERNATIVE LANGUAGE TEXT BLOCK.	2019-12-02 AKG/PSW	CO-0197150
E	1) ADDED PARTS #2254-2-2S #2254-4-8S #2254-8-8S #2254-16-16S	2019-12-27 DMK/SSA	CO-0198096

ALTERNATIVE LANGUAGE DRAWING
ALL SHEETS MUST BE IDENTICAL
AND WITH SAME REVISION LEVEL

METRIC



2. CRIMP NUT PER ES 2409P4.
1. DIMENSIONS ARE IN MILLIMETERS [INCHES].

①	9406X16X16X16	2254-16-16S	FF2890-1616S	2045-3-16S	
	9406X12	2254-12-12S	FF2890-1212S	2045-3-12S	
	9406X8X8X12	2254-8-12S	FF2890-0812S	2045-3-8S	
①	9406X8X8X8	2254-8-8S	FF2890-0808S	2045-3-8S	
	9406X6X6X8	2254-6-8S	FF2890-0608S	2045-3-6S	
	9406X6X6X6	2254-6-6S	FF2890-0606S	2045-3-6S	
①	9406X4X4X8	2254-4-8S	FF2890-0408S	2045-3-4S	
	9406X4X4X6	2254-4-6S	FF2890-0406S	2045-3-4S	
①	9406X4X4X4	2254-4-4S	FF2890-0404S	2045-3-4S	
①	9406X2X2X2	2254-2-2S	FF2890-0202S	2045-3-2S	
	WEATHERHEAD PART NUMBER	AEROQUIP PART NUMBER	① ADAPTER BODY	② NUT (2 REQ'D)	

LIST OF MATERIALS

ITEM NO.	MATERIAL	DRAWN	FLUID CONVEYANCE DIVISION			
1	STEEL	M. KHEDEKAR				
2	STEEL	CHECKED V. PATIL				
		APPROVED J. SNYDER				
		RELEASE DATE 2014-04-16				
		0096112-ECO	DRAWING TITLE ADAPTER TEE, FEMALE NPSM SWIVEL TO MALE PIPE BRANCH			
		THIRD ANGLE PROJECTION	SIZE A3	DRAWING NUMBER 2254-S	REV E	
			SCALE NONE	DIST U	CAGE CODE 01276	SHEET 2

THE REPRODUCTION, DISTRIBUTION AND UTILIZATION OF THIS DOCUMENT AS WELL AS THE COMMUNICATION OF ITS CONTENTS TO OTHERS WITHOUT EXPLICIT AUTHORIZATION IS PROHIBITED. OFFENDERS WILL BE HELD LIABLE FOR THE PAYMENT OF DAMAGES. ALL RIGHT RESERVED IN THE EVENT OF THE GRANT OF A PATENT, UTILITY MODEL OR DESIGN. (PER ISO 16016)