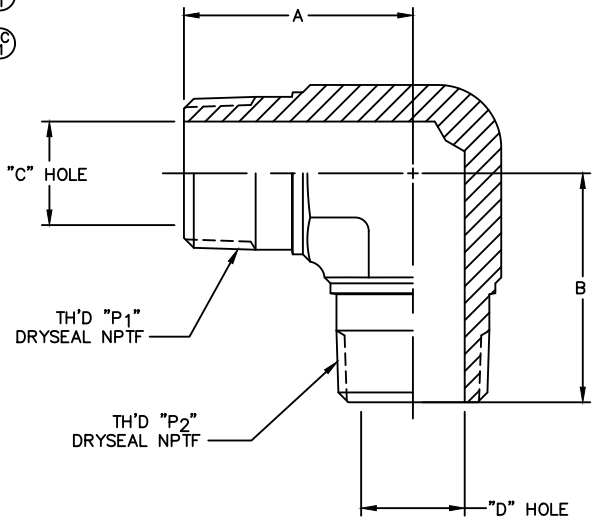


PART NUMBER	WEATHERHEAD PART NUMBER	TH'D "P <sub>1</sub> "	TH'D "P <sub>2</sub> "	A REF	B REF	C REF	D REF
2085-2-2S	C3529X2	1/8-27	1/8-27	19.8 [.78]	19.8 [.78]	4.8 [.19]	4.8 [.19]
2085-4-2S	C3529X4X2	1/4-18	1/8-27	27.7 [1.09]	23.1 [.91]	7.1 [.28]	4.8 [.19]
2085-4-4S	C3529X4	1/4-18	1/4-18	27.7 [1.09]	27.7 [1.09]	7.1 [.28]	7.1 [.28]
2085-6-4S	C3529X6X4	3/8-18	1/4-18	31 [1.22]	31 [1.22]	10.4 [.41]	7.1 [.28]
2085-6-6S	C3529X6	3/8-18	3/8-18	31 [1.22]	31 [1.22]	10.4 [.41]	10.4 [.41]
2085-8-6S	C3529X8X6	3/8-18	1/2-14	32.5 [1.28]	37.3 [1.47]	10.4 [.41]	13.5 [.53]
2085-8-8S	C3529X8	1/2-14	1/2-14	37.3 [1.47]	37.3 [1.47]	13.5 [.53]	13.5 [.53]
2085-12-8S	C3529X12X8	1/2-14	3/4-14	40.4 [1.59]	40.4 [1.59]	13.5 [.53]	18.3 [.72]
2085-12-12S	C3529X12	3/4-14	3/4-14	40.4 [1.59]	40.4 [1.59]	18.3 [.72]	18.3 [.72]
2085-16-12S	C3529X16X12	3/4-14	1-11 1/2	45.2 [1.78]	50 [1.97]	18.3 [.72]	23.9 [.94]
2085-16-16S	C3529X16	1-11 1/2	1-11 1/2	50 [1.97]	50 [1.97]	23.9 [.94]	23.9 [.94]
2085-20-20S	C3529X20	1-1/4 11-1/2	1-1/4 11-1/2	60.5 [2.38]	60.5 [2.38]	31.8 [1.25]	31.8 [1.25]
2085-24-24S	C3529X24	1-1/2 11-1/2	1-1/2 11-1/2	67.1 [2.64]	67.1 [2.64]	49 [1.93]	49 [1.93]

(AD 1)

(AC 1)

(AC 1)



METRIC

REVISIONS			
REV	DESCRIPTION	DATE	APPROVED
AC	REDRAWN, UPDATED FOR DANFOSS FORMAT & DIMENSION STYLE. 1) ADDED 2085-20-20S, 2085-24-24S	2009-12-28 PSL/ADN	0038558-ECO
AD	1) ADDED PART #2085-4-2S.	2011-08-22 VMS/PSW	0054272-ECO

2. MATERIAL: STEEL.  
1. DIMENSIONS ARE IN MILLIMETERS [INCH].

DRAWN P. LAD CHECKED A. NAGARKATTI APPROVED A. NAGARKATTI RELEASE DATE 2009-12-30 0038558-ECO	FLUID CONVEYANCE DIVISION DRAWING TITLE <b>ADAPTER</b> 90° EXTERNAL PIPE ELBOW (SAE #140237)
THIRD ANGLE PROJECTION 	SIZE A2 SCALE NONE DIST U CAGE CODE 01276 SHEET 1
THE REPRODUCTION, DISTRIBUTION AND UTILIZATION OF THIS DOCUMENT AS WELL AS THE COMMUNICATION OF ITS CONTENTS TO OTHERS WITHOUT EXPLICIT AUTHORIZATION IS PROHIBITED. OFFENDERS WILL BE HELD LIABLE FOR THE PAYMENT OF DAMAGES. ALL RIGHT RESERVED IN THE EVENT OF THE GRANT OF A PATENT, UTILITY MODEL OR DESIGN. (PER ISO 16016)	

REV. 1 AD  
SHEET 1  
2085-S  
DWG. NO.