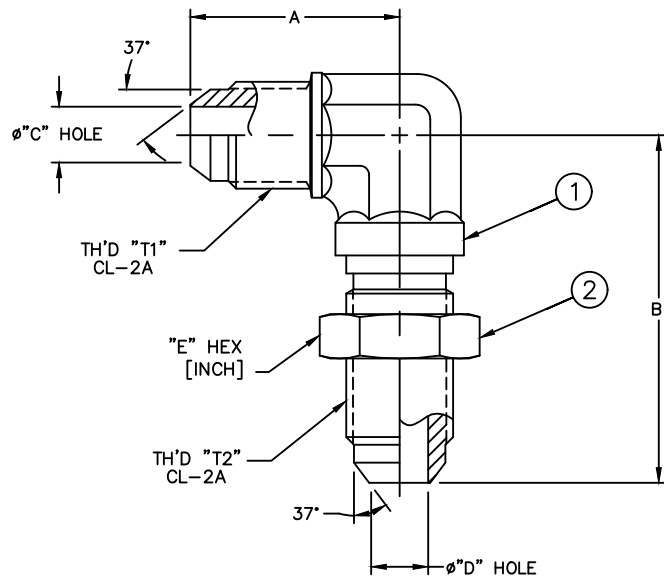


PART NUMBER	TH'D "T1"	TH'D "T2"	A REF	B REF	C REF	D REF	E REF
2043-3-3S	3/8-24	3/8-24	23.9 [.94]	38.1 [1.50]	3.2 [.13]	3.2 [.13]	5/8
2043-4-4S	7/16-20	7/16-20	24.6 [.97]	40.4 [1.59]	4.3 [.17]	4.3 [.17]	11/16
2043-5-5S	1/2-20	1/2-20	26.9 [1.06]	43.7 [1.72]	5.8 [.23]	5.8 [.23]	3/4
2043-6-6S	9/16-18	9/16-18	27.7 [1.09]	46 [1.81]	7.6 [.30]	7.6 [.30]	13/16
2043-8-8S	3/4-16	3/4-16	34.5 [1.36]	53.6 [2.11]	9.9 [.39]	9.9 [.39]	1
2043-10-10S	7/8-14	7/8-14	39.6 [1.56]	60.7 [2.39]	12.2 [.48]	12.2 [.48]	1 1/8
2043-12-12S	1 1/16-12	1 1/16-12	45.2 [1.78]	67.8 [2.67]	15.5 [.61]	15.5 [.61]	1 3/8
2043-16-16S	1 5/16-12	1 5/16-12	49.3 [1.94]	71.1 [2.80]	21.3 [.84]	21.3 [.84]	1 5/8
2043-20-20S	1 5/8-12	1 5/8-12	55.1 [2.17]	79.2 [3.12]	27.4 [1.08]	27.4 [1.08]	1 7/8

REVISIONS		REVISIONS	
REV	DESCRIPTION	DATE	APPROVED
Z	REDRAWN, UPDATED TO DANFOSS FORMAT & DIMENSION STYLE. 1) ADDED PART #2043-3-3S 2) ADDED PART #2043-20-20S 3) REMOVED WEATHERHEAD PART NUMBERS.	2009-12-28 VJS/ADN	0038346-ECO

METRIC



2043-20-20S	2043-1-20-20S	210212-20S			
2043-16-16S	2043-1-16-16S	210212-16S			
2043-12-12S	2043-1-12-12S	210212-12S			
2043-10-10S	2043-1-10-10S	210212-10S			
2043-8-8S	2043-1-8-8S	210212-8S			
2043-6-6S	2043-1-6-6S	210212-6S			
2043-5-5S	2043-1-5-5S	210212-5S			
2043-4-4S	2043-1-4-4S	210212-4S			
2043-3-3S	2043-1-3-3S	210212-3S			
PART NUMBER	① ADAPTER BODY	② JAM NUT			

LIST OF MATERIALS

ITEM NO.	MATERIAL	DRAWN V. SURYAWANSHI	CHECKED A. NAGARKATTI	APPROVED A. NAGARKATTI	RELEASE DATE 2009-12-28	0038346-ECO
1	STEEL					
2	STEEL					

DRAWING TITLE		FLUID CONVEYANCE DIVISION	
SAE 37° FLARE - 90° BULKHEAD ELBOW		(SAE #070701)	
SIZE	DRAWING NUMBER	REV	
A2	2043-S	Z	
THIRD ANGLE PROJECTION	SCALE	DIST	CAGE CODE
☉	NONE	U	01276
			SHEET
			2

THE REPRODUCTION, DISTRIBUTION AND UTILIZATION OF THIS DOCUMENT AS WELL AS THE COMMUNICATION OF ITS CONTENTS TO OTHERS WITHOUT EXPLICIT AUTHORIZATION IS PROHIBITED. OFFENDERS WILL BE HELD LIABLE FOR THE PAYMENT OF DAMAGES. ALL RIGHT RESERVED IN THE EVENT OF THE GRANT OF A PATENT, UTILITY MODEL OR DESIGN. (PER ISO 16016)

1. DIMENSIONS ARE IN MILLIMETERS [INCHES].

REV. Z
2043-S
DWG. NO.