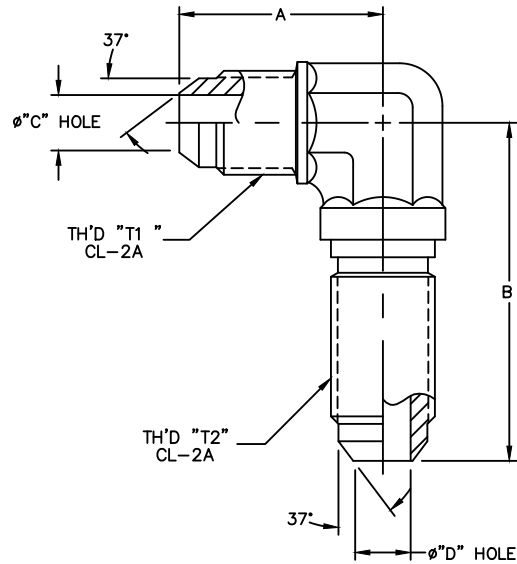


AEROQUIP PART NUMBER	WEATHERHEAD PART NUMBER	TH'D "T1"	TH'D "T2"	A REF	B REF	C REF	D REF
2043-1-3-3S	C5525X3	3/8-24	3/8-24	23.9 [.94]	38.1 [1.50]	3.2 [.13]	3.2 [.13]
2043-1-4-4S	C5525X4	7/16-20	7/16-20	24.6 [.97]	40.4 [1.59]	4.3 [.17]	4.3 [.17]
2043-1-5-5S	C5525X5	1/2-20	1/2-20	26.9 [1.06]	43.7 [1.72]	5.8 [.23]	5.8 [.23]
2043-1-6-6S	C5525X6	9/16-18	9/16-18	27.7 [1.09]	46 [1.81]	7.6 [.30]	7.6 [.30]
2043-1-8-8S	C5525X8	3/4-16	3/4-16	34.5 [1.36]	53.6 [2.11]	9.9 [.39]	9.9 [.39]
2043-1-10-10S	C5525X10	7/8-14	7/8-14	39.6 [1.56]	60.7 [2.39]	12.2 [.48]	12.2 [.48]
2043-1-12-12S	C5525X12	1 1/16-12	1 1/16-12	45.2 [1.78]	67.8 [2.67]	15.5 [.61]	15.5 [.61]
2043-1-16-16S	C5525X16	1 5/16-12	1 5/16-12	49.3 [1.94]	71.1 [2.80]	21.3 [.84]	21.3 [.84]
2043-1-20-20S	C5525X20	1 5/8-12	1 5/8-12	55.1 [2.17]	79.2 [3.12]	27.4 [1.08]	27.4 [1.08]

REVISIONS			
REV.	DESCRIPTION	DATE	APPROVED
D	REDRAWN, UPDATED TO DANFOSS FORMAT & DIMENSION STYLE. 1) ADDED PART #2043-1-3-3S	2009-12-28 VJS/ADN	0038346-ECO



METRIC

2. MATERIAL: STEEL.

1. DIMENSIONS ARE IN MILLIMETERS [INCHES].

DRAWN V. SURYAWANSHI	FLUID CONVEYANCE DIVISION		
CHECKED A. NAGARKATTI	DRAWING TITLE ADAPTER BODY		
APPROVED A. NAGARKATTI	SAE 37° FLARE - 90° BULKHEAD ELBOW (SAE #070701)		
RELEASE DATE 2009-12-28	SIZE A2	DRAWING NUMBER 2043-1-S	REV D
0038346-ECO	SCALE NONE	DIST U	CAGE CODE 01276
THIRD ANGLE PROJECTION	SHEET 2		REV D
THE REPRODUCTION, DISTRIBUTION AND UTILIZATION OF THIS DOCUMENT AS WELL AS THE COMMUNICATION OF ITS CONTENTS TO OTHERS WITHOUT EXPLICIT AUTHORIZATION IS PROHIBITED. OFFENDERS WILL BE HELD LIABLE FOR THE PAYMENT OF DAMAGES. ALL RIGHT RESERVED IN THE EVENT OF THE GRANT OF A PATENT, UTILITY MODEL OR DESIGN. (PER ISO 18016)			

DWG. NO. 2043-1-S SH. 2 REV. D