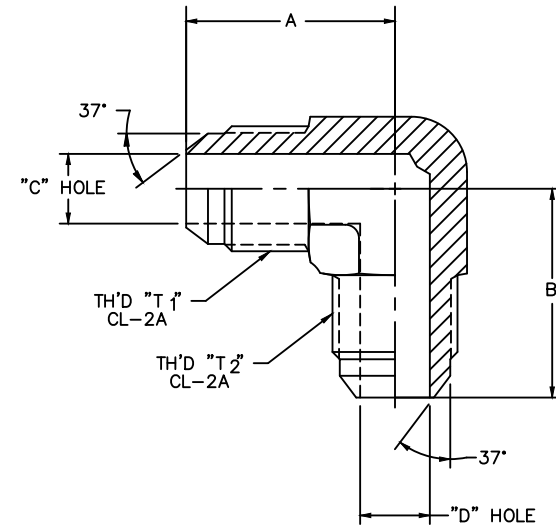


AEROQUIP PART NUMBER	WEATHERHEAD PART NUMBER	TH'D "T1"	TH'D "T2"	A REF	B REF	C REF	D REF
2039-4-4S	C5505X4	7/16-20	7/16-20	22.6 [.89]	22.6 [.89]	4.3 [.17]	4.3 [.17]
2039-5-5S	C5505X5	1/2-20	1/2-20	24.1 [.95]	24.1 [.95]	5.8 [.23]	5.8 [.23]
2039-6-6S	C5505X6	9/16-18	9/16-18	26.9 [1.06]	26.9 [1.06]	7.6 [.30]	7.6 [.30]
2039-8-6S	C5505X6X8	3/4-16	9/16-18	31.8 [1.25]	29 [1.14]	9.9 [.39]	7.6 [.30]
2039-8-8S	C5505X8	3/4-16	3/4-16	31.8 [1.25]	31.8 [1.25]	9.9 [.39]	9.9 [.39]
2039-10-10S	C5505X10	7/8-14	7/8-14	36.8 [1.45]	36.8 [1.45]	12.2 [.48]	12.2 [.48]
2039-12-12S	C5505X12	1 1/16-12	1 1/16-12	42.2 [1.66]	42.2 [1.66]	15.5 [.61]	15.5 [.61]
2039-16-12S	C5505X12X16	1 5/16-12	1 1/16-12	46 [1.81]	44.7 [1.76]	21.3 [.84]	15.5 [.61]
2039-16-16S	C5505X16	1 5/16-12	1 5/16-12	46 [1.81]	46 [1.81]	21.3 [.84]	21.3 [.84]
2039-20-20S	C5505X20	1 5/8-12	1 5/8-12	52.3 [2.06]	52.3 [2.06]	27.4 [1.08]	27.4 [1.08]
2039-24-24S	C5505X24	1 7/8-12	1 7/8-12	59.2 [2.33]	59.2 [2.33]	33.3 [1.31]	33.3 [1.31]
2039-32-32S	C5505X32	2 1/2-12	2 1/2-12	77.7 [3.06]	77.7 [3.06]	45.2 [1.78]	45.2 [1.78]
2039-6-4S	C5505X4X6	9/16-18	7/16-20	26.9 [1.06]	26.9 [1.06]	7.6 [.30]	4.3 [.17]
2039-6-5S	C5505X5X6	9/16-18	1/2-20	26.9 [1.06]	26.9 [1.06]	7.6 [.30]	5.9 [.23]
2039-12-8S	C5505X8X12	1 1/16-12	3/4-16	42.7 [1.68]	36.8 [1.45]	15.5 [.61]	9.9 [.39]

①

④
②
③

REVISIONS			
REV	DESCRIPTION	DATE	APPROVED
T	REDRAWN, UPDATED TO DANFOSS FORMAT AND DIMENSION STYLE. 1) ADDED WEATHERHEAD PART NUMBERS.	2009-11-02 AJC/ADN	0036701-ECO
U	1) ADDED PART NO. 2039-6-4S 2) ADDED PART NO. 2039-6-5S 3) ADDED PART NO. 2039-12-8S	2011-06-08 MBK/VJS	0054163-ECO



METRIC

2. MATERIAL: STEEL.
1. DIMENSIONS ARE IN MILLIMETERS [INCHES].

DRAWN A. CHAVAN	Danfoss FLUID CONVEYANCE DIVISION		
CHECKED A. NAGARKATTI	DRAWING TITLE		
APPROVED Y. BANG	ADAPTER		
RELEASE DATE 2009-11-02	SAE 37° FLARE - 90° UNION ELBOW		
0036701-ECO	(SAE #070201)		
THIRD ANGLE PROJECTION	SIZE A2	DRAWING NUMBER 2039-S	REV U
	SCALE NONE	DIST U	CAGE CODE 01276
		SHEET 1	
THE REPRODUCTION, DISTRIBUTION AND UTILIZATION OF THIS DOCUMENT AS WELL AS THE COMMUNICATION OF ITS CONTENTS TO OTHERS WITHOUT EXPLICIT AUTHORIZATION IS PROHIBITED. OFFENDERS WILL BE HELD LIABLE FOR THE PAYMENT OF DAMAGES. ALL RIGHT RESERVED IN THE EVENT OF THE GRANT OF A PATENT, UTILITY MODEL OR DESIGN. (PER ISO 16016)			

DWG. NO. 2039-S
REV. U
SH. 1