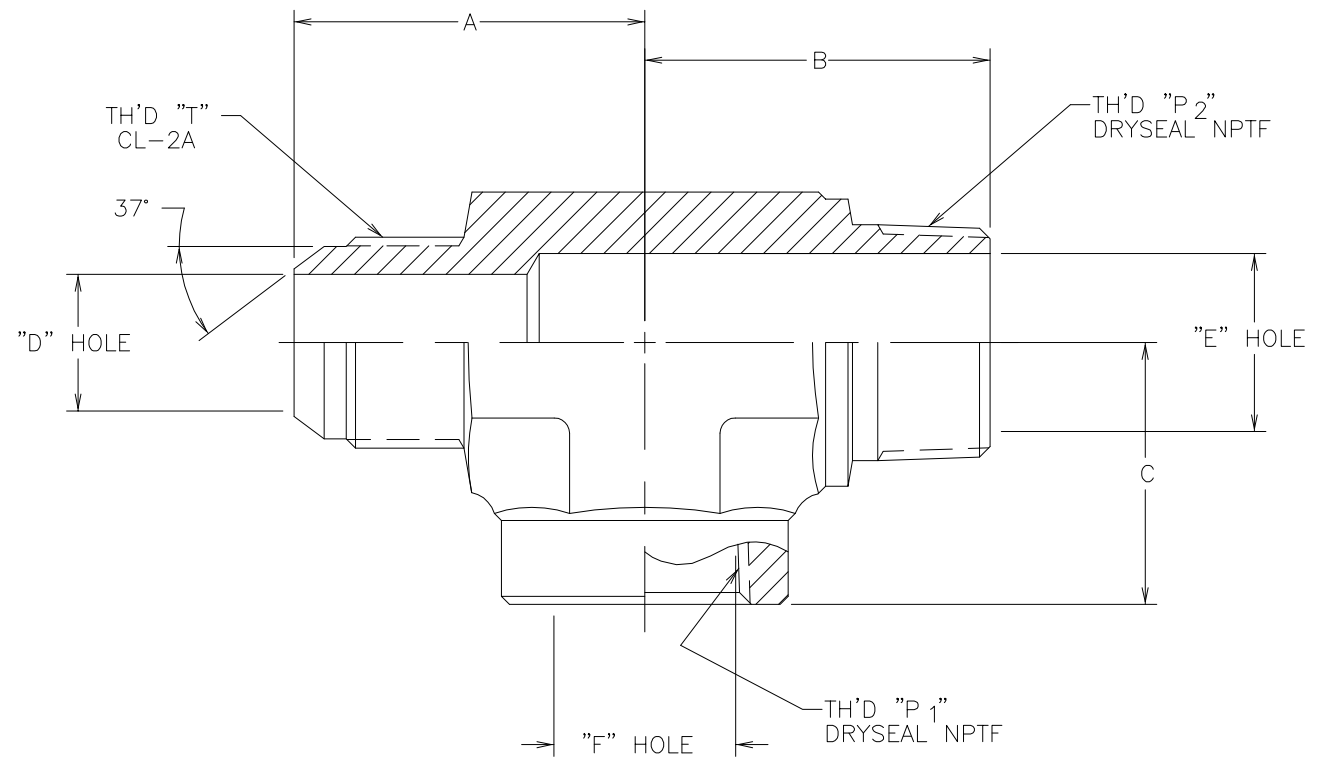


| PART NUMBER | TH'D "P1" | TH'D "P2" | TH'D "T" | A REF | B REF | C REF | D REF | E REF | F REF |
|---------------|-----------|-----------|-----------|-------|-------|-------|-------|-------|-------|
| 203103-2-4S | 1/8-27 | 1/8-27 | 7/16-20 | 1.08 | .78 | .66 | .17 | .19 | .29 |
| 203103-4-6S | 1/4-18 | 1/4-18 | 9/16-18 | 1.23 | 1.09 | .88 | .30 | .28 | .39 |
| 203103-6-6S | 3/8-18 | 3/8-18 | 9/16-18 | 1.31 | 1.22 | 1.02 | .30 | .41 | .53 |
| 203103-6-8S | 3/8-18 | 3/8-18 | 3/4-16 | 1.42 | 1.22 | 1.02 | .39 | .41 | .53 |
| 203103-8-10S | 1/2-14 | 1/2-14 | 7/8-14 | 1.64 | 1.47 | 1.23 | .48 | .53 | .65 |
| 203103-12-12S | 3/4-14 | 3/4-14 | 1 1/16-12 | 1.89 | 1.59 | 1.36 | .61 | .72 | .85 |
| | | | | | | | | | |
| | | | | | | | | | |
| | | | | | | | | | |

| REVISIONS | | | |
|-----------|-------------|------|----------|
| REV. | DESCRIPTION | DATE | APPROVED |
| | | | |
| | | | |



CONVERTED DRAWING CADAM to AutoCAD 9/98

DWG. NO. 203103-S SH. 2 REV.

1. MATERIAL: STEEL.

THE REPRODUCTION, DISTRIBUTION AND UTILIZATION OF THIS DOCUMENT AS WELL AS THE COMMUNICATION OF ITS CONTENTS TO OTHER WITHOUT EXPLICIT AUTHORIZATION IS PROHIBITED. OFFENDERS WILL BE HELD LIABLE FOR THE PAYMENT OF DAMAGES. ALL RIGHT RESERVED IN THE EVENT OF THE GRANT OF A PATENT, UTILITY MODEL OR DESIGN. (PER ISO 16016)

| | | |
|-------------------------|-----------------|---|
| DRAWN J. COGDELL | DATE 4-29-94 | Danfoss FLUID CONVEYANCE DIVISION |
| CHECKED RD GARRETT | DATE 5-5-94 | |
| APPROVED RD GARRETT | DATE 5-5-94 | DRAWING TITLE ADAPTER |
| RELEASED EN-F14824 | DATE 5-5-94 | TEE, SAE 37° MALE FLARE TO MALE PIPE WITH FEMALE PIPE BRANCH |
| PROJECT NO. DP-24771 | APC NO. | SIZE (CAGE) CODE NO. DRAWING NUMBER C 01276 203103-S |
| DESIGN APPROVED | | SHEET 2 |