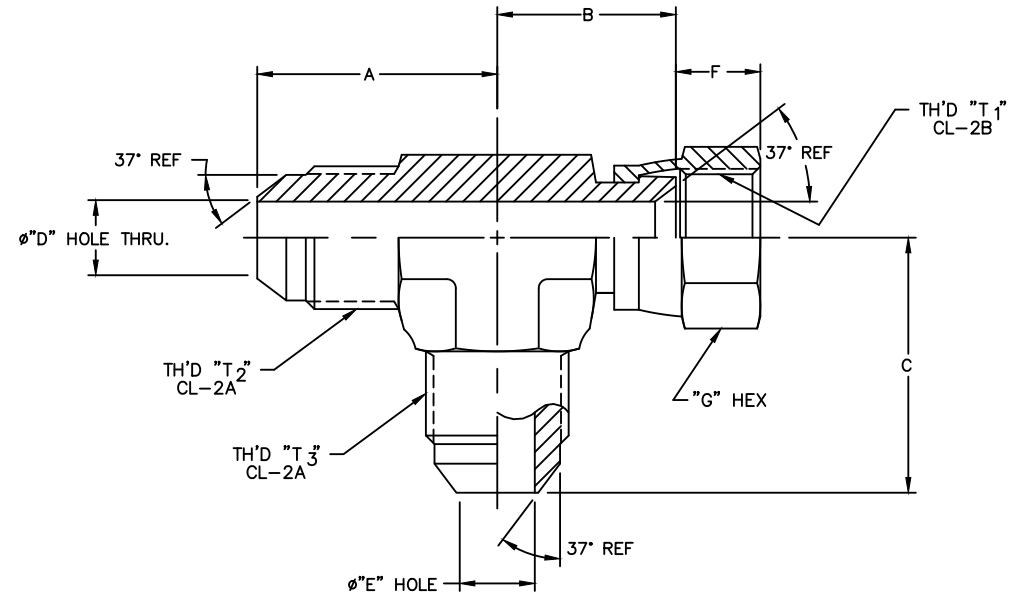


PART NUMBER	WEATHERHEAD CATALOG NUMBER	TH'D "T ₁ "	TH'D "T ₂ "	TH'D "T ₃ "	A REF	B REF	C REF	D REF	E REF	F REF	G REF (INCH)
203102-10-10-12S	C5706X10X10X12	7/8-14	7/8-14	1 1/16-12	39.1 [1.54]	26.9 [1.06]	42.2 [1.66]	12.2 [.48]	15.5 [.61]	13.2 [.52]	1

REVISIONS			
REV	DESCRIPTION	DATE	APPROVED
P	REDRAWN. UPDATED TO LATEST DANFOSS FORMAT & DIMENSION STYLE. 1) REMOVED EBOM (ADAPTER BODY & NUT) FOR ALL PARTS.	2009-09-17 DHS/SRH	0010579-ECO DP-1299
R	1) MOVED PART NUMBERS 203102-4-4S, 203102-6-6S, 203102-8-8S, 203102-10-10S, 203102-12-12S, 203102-16-16S 203102-20-20S TO SHEET #2.	2014-10-28 PDS/HLV	0101175-ECO
S	1) MOVED PART NUMBER 203102-5-5S TO SHEET #2.	2016-01-12 VSP	0118466-ECO

(R)
 (S)
 (R)
 (R)
 (R)
 (R)
 (R)
 (R)



METRIC

(P)
1

2. MATERIAL: STEEL.
1. DIMENSIONS ARE IN MILLIMETERS [INCHES].

DRAWN D. SHEWALE	Danfoss FLUID CONVEYANCE DIVISION		
CHECKED S. HASABE			
APPROVED J. LUGINBILL	DRAWING TITLE ADAPTER		
RELEASE DATE 2009-09-17	SAE 37° FLARE - SWIVEL RUN TEE		
0010579-ECO	(SAE #070432)		
DP-1299	SIZE A2	DRAWING NUMBER 203102	REV S
THIRD ANGLE PROJECTION	SCALE NONE	DIST U	CAGE CODE 01276
			SHEET 1 OF 2
<small>THE REPRODUCTION, DISTRIBUTION AND UTILIZATION OF THIS DOCUMENT AS WELL AS THE COMMUNICATION OF ITS CONTENTS TO OTHERS WITHOUT EXPLICIT AUTHORIZATION IS PROHIBITED. OFFENDERS WILL BE HELD LIABLE FOR THE PAYMENT OF DAMAGES. ALL RIGHT RESERVED IN THE EVENT OF THE GRANT OF A PATENT, UTILITY MODEL OR DESIGN. (PER ISO 16016)</small>			