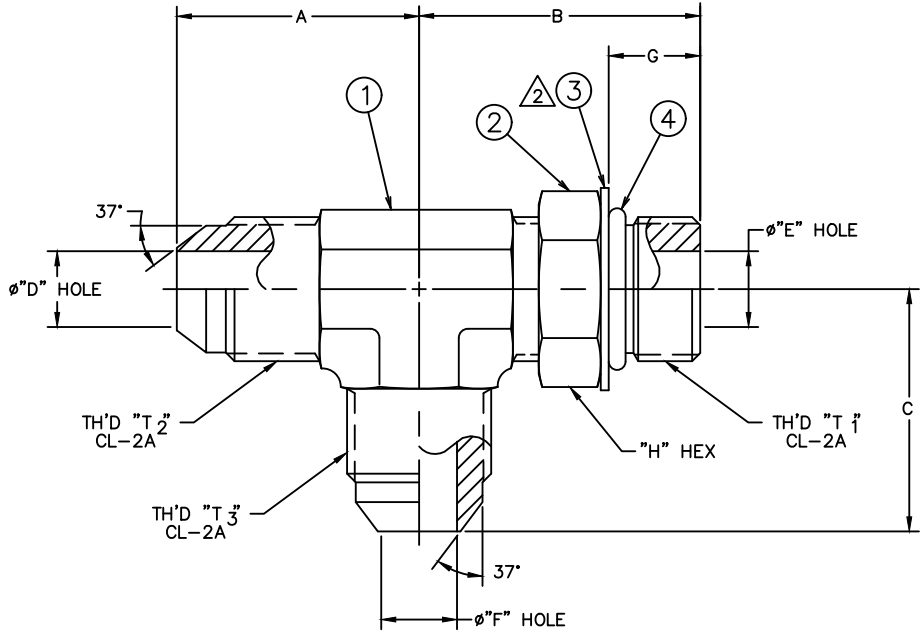


AEROQUIP PART NUMBER	WEATHERHEAD PART NUMBER	TH'D "T <sub>1</sub> "	TH'D "T <sub>2</sub> "	TH'D "T <sub>3</sub> "	A REF	B REF	C REF	D REF	E REF	F REF	G MIN	H REF [INCH]
203005-10-10S	C5716X10	7/8-14	7/8-14	7/8-14	36.8 [1.45]	43.2 [1.70]	36.8 [1.45]	12.2 [.48]	12.2 [.48]	12.2 [.48]	13.79 [.543]	[1]
203005-12-12S	C5716X12	1 1/16-12	1 1/16-12	1 1/16-12	42.2 [1.66]	49.3 [1.94]	42.2 [1.66]	15.5 [.61]	15.5 [.61]	15.5 [.61]	16.15 [.636]	[1 1/4]
203005-12-16-16S	C5716X16X12X16	1 1/16-12	1 5/16-12	1 5/16-12	46 [1.81]	52.1 [2.05]	46 [1.81]	21.4 [.84]	15.5 [.61]	21.4 [.84]	16.15 [.636]	[1 1/4]
203005-4-4S	C5716X4	7/16-20	7/16-20	7/16-20	22.6 [.89]	26.2 [1.03]	22.6 [.89]	4.3 [.17]	4.3 [.17]	4.3 [.17]	9.35 [.368]	[9/16]
203005-6-6S	C5716X6	9/16-18	9/16-18	9/16-18	26.9 [1.06]	31.8 [1.25]	26.9 [1.06]	7.6 [.30]	7.6 [.30]	7.6 [.30]	10.54 [.415]	[11/16]
203005-8-8S	C5716X8	3/4-16	3/4-16	3/4-16	31.8 [1.25]	36.8 [1.45]	31.8 [1.25]	9.9 [.39]	9.9 [.39]	9.9 [.39]	11.99 [.472]	[7/8]
203005-16-16S	C5716X16	1 5/16-12	1 5/16-12	1 5/16-12	46 [1.81]	52.1 [2.05]	46 [1.81]	21.4 [.84]	21.4 [.84]	21.4 [.84]	16.15 [.636]	[1 1/2]
203005-20-20S	C5716X20	1 5/8-12	1 5/8-12	1 5/8-12	52.3 [2.06]	57.2 [2.25]	52.3 [2.06]	27.4 [1.08]	27.4 [1.08]	27.4 [1.08]	16.15 [.636]	[1 7/8]

REVISIONS			
REV	DESCRIPTION	DATE	APPROVED
AD	REDRAWN, UPDATED TO DANFOSS FORMAT & DIMENSION STYLE. 1) REMOVED PART #203005-6-4-4S, 203005-6-6S, 203005-8-8S AND 203005-16-16S.	2009-09-10 SJM/SRH	0010576-ECO DP-1299
AE	1) ADDED WEATHERHEAD PARTS.	2009-12-28 ADM/SRH	0038341-ECO
AF	1) ADDED PARTS #203005-4-4S, 203005-6-6S, 203005-8-8S, 203005-16-16S, 203005-20-20S AND WEATHERHEAD PARTS #C5716X4, C5716X6, C5716X8, C5716X16, C5716X20.	2014-11-28 HLV	0101172-ECO
AG	1) WEATHERHEAD PART NUMBER WAS C5716X16X16X12	2017-07-03 AAB/VVS	D132204-ECO DP-1299
AH	1) TH'D "T1", "T2" & "T3" FOR 203005-4-4S WAS "7/16-12".	2020-11-11 VSP	00-0210781

AD 1 AF 1 AE 1 AF 1



METRIC

C5716X20	203005-20-20S	203009-20-20S	210295-20S	222013-20S	22617-20
C5716X16	203005-16-16S	203009-16-16S	210295-16S	222013-16S	22617-16
C5716X8	203005-8-8S	203009-8-8S	210295-8S	222013-8S	22617-8
C5716X6	203005-6-6S	203009-6-6S	210295-6S	222013-6S	22617-6
C5716X4	203005-4-4S	203009-4-4S	210295-4S	222013-4S	22617-4
C5716X16X12X16	203005-12-16-16S	203009-12-16-16S	210295-12S	222013-12S	22617-12
C5716X12	203005-12-12S	203009-12-12S	210295-12S	222013-12S	22617-12
C5716X10	203005-10-10S	203009-10-10S	210295-10S	222013-10S	22617-10
WEATHERHEAD PART NUMBER	AEROQUIP PART NUMBER	① ADAPTER BODY	② JAM NUT	③ WASHER	④ O'RING

LIST OF MATERIALS

ITEM NO.	MATERIAL	DRAWN S. MANE	CHECKED S. HASABE	APPROVED J. LUGINBILL	RELEASE DATE 2009-09-10	0010576-ECO DP-1299	THIRD ANGLE PROJECTION	SIZE A2	DRAWING NUMBER 203005-S	REV AH
1	STEEL	FLUID CONVEYANCE DIVISION DRAWING TITLE ADAPTER SAE 37° FLARE - STRAIGHT THREAD RUN TEE (SAE #070428)				SCALE NONE		DIST U	CAGE CODE 01276	SHEET 2
2	STEEL									
3	STEEL									
4	NITRILE (BUNA-N)									

△ WASHER CLINCHED TO FITTING WITH 0.013 [.0005] MAXIMUM CLEARANCE TO AN INTERFERENCE FIT.

1. ALL DIMENSIONS ARE IN MILLIMETERS [INCHES].

THE REPRODUCTION, DISTRIBUTION AND UTILIZATION OF THIS DOCUMENT AS WELL AS THE COMMUNICATION OF ITS CONTENTS TO OTHERS WITHOUT EXPLICIT AUTHORIZATION IS PROHIBITED. OFFENDERS WILL BE HELD LIABLE FOR THE PAYMENT OF DAMAGES. ALL RIGHT RESERVED IN THE EVENT OF THE GRANT OF A PATENT, UTILITY MODEL OR DESIGN. (PER ISO 16016)