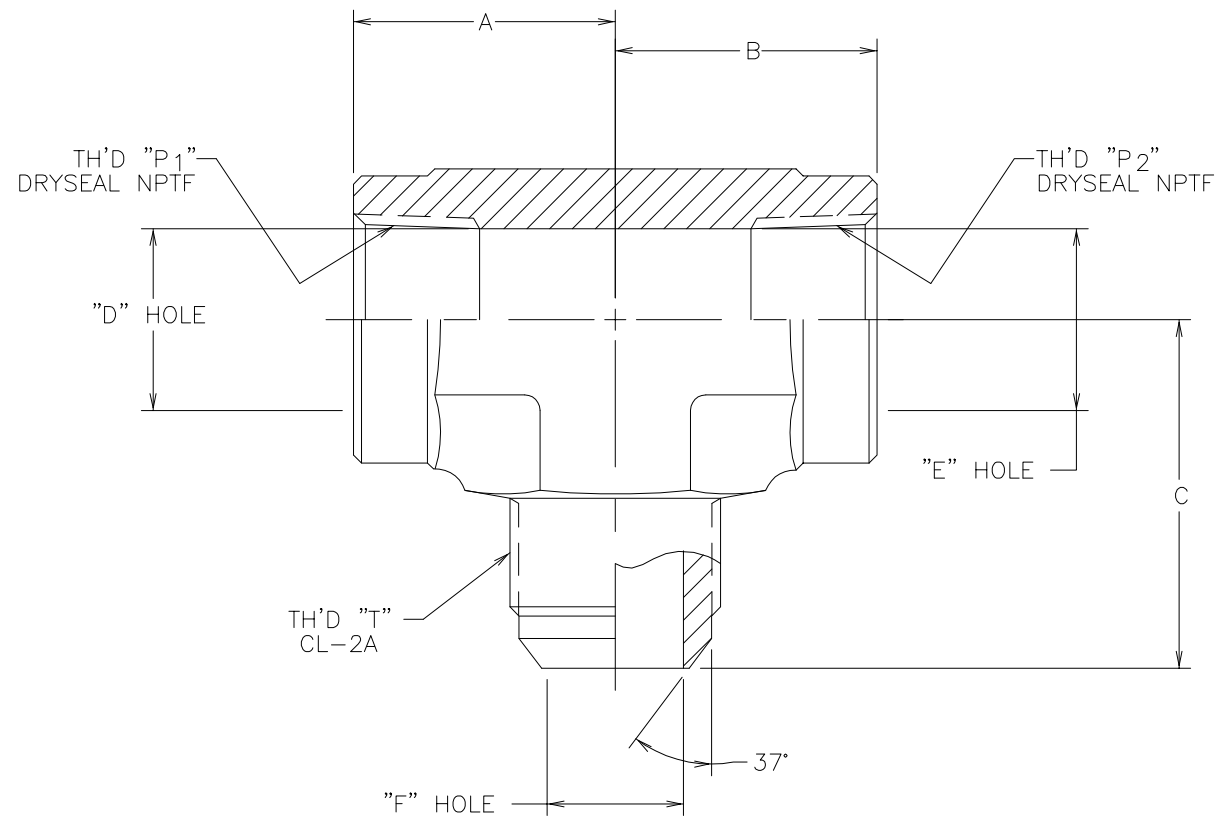


PART NUMBER	TH'D "P1"	TH'D "P2"	TH'D "T"	A REF	B REF	C REF	D REF	E REF	F REF
202901-4-6S	1/4-18	1/4-18	9/16-18	.88	.88	1.23	.39	.39	.30
202901-6-8S	3/8-18	3/8-18	3/4-16	1.02	1.02	1.42	.53	.53	.39
202901-12-12S	3/4-14	3/4-14	1 1/16-12	1.36	1.36	1.89	.85	.85	.61
202901-16-16S	1-11 1/2	1-11 1/2	1 5/16-12	1.62	1.62	2.17	1.06	1.06	.84

REVISIONS			
REV.	DESCRIPTION	DATE	APPROVED
H	REDRAWN ON CAD - LAST REV. "G" UPDATED DIMENSIONS TO AGREE WITH DETAIL DRAWINGS (WAS BRAZE DESIGN)	5-26-94	EN-F14944 DP-24771
J	1) REMOVED PART NO. 202901-2-4S	8-19-2005 SRH/KBM	EN-F28367 DP-1639

1



CONVERTED DRAWING CADAM to AutoCAD 9/98

1. MATERIAL: STEEL.

THE REPRODUCTION, DISTRIBUTION AND UTILIZATION OF THIS DOCUMENT AS WELL AS THE COMMUNICATION OF ITS CONTENTS TO OTHER WITHOUT EXPLICIT AUTHORIZATION IS PROHIBITED. OFFENDERS WILL BE HELD LIABLE FOR THE PAYMENT OF DAMAGES. ALL RIGHT RESERVED IN THE EVENT OF THE GRANT OF A PATENT, UTILITY MODEL OR DESIGN. (PER ISO 16016)

DRAWN T. KILLEBREW	DATE 5-26-94	Danfoss FLUID CONVEYANCE DIVISION
CHECKED R.D. GARRETT	DATE 5-31-94	
APPROVED R.D. GARRETT	DATE 5-31-94	DRAWING TITLE ADAPTER
RELEASED EN-F14944	DATE 5-31-94	TEE, FEMALE PIPE TO FEMALE PIPE WITH SAE 37° MALE FLARE BRANCH
PROJECT NO. DP-24771	APC NO.	SIZE (CAGE) CODE NO. DRAWING NUMBER C 01276 202901-S
DESIGN APPROVED		SHEET
APPROVED		U

DWG. NO. 202901-S
SHEET J