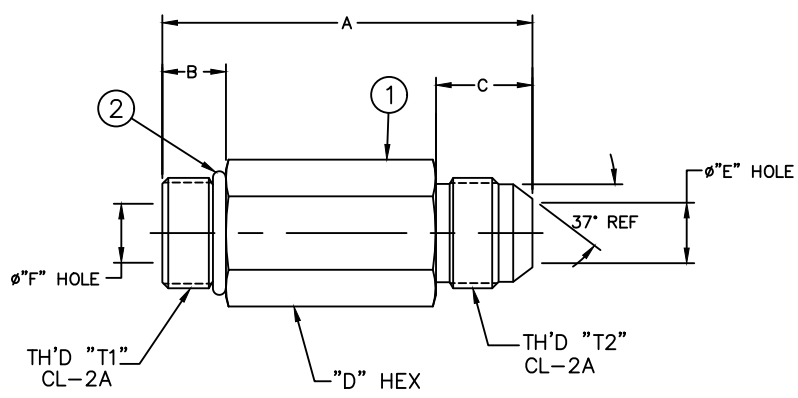


AEROQUIP PART NUMBER	WEATHERHEAD PART NUMBER	TH'D "T1"	TH'D "T2"	A REF	B REF	C REF	D REF [INCH]	E REF	E REF
202713-4-4S	C5316X4	7/16-20	7/16-20	52.8 [2.08]	9.1 [.36]	14 [.55]	9/16	4.3 [.17]	4.3 [.17]
202713-6-6S	C5316X6	9/16-18	9/16-18	58.7 [2.31]	9.9 [.39]	14.2 [.56]	11/16	7.6 [.30]	7.6 [.30]
202713-6-8S	C5316X8X6	9/16-18	3/4-16	67.3 [2.65]	9.9 [.39]	16.8 [.66]	13/16	9.9 [.39]	7.6 [.30]
202713-8-6S	-	3/4-16	9/16-18	60.5 [2.38]	11.2 [.44]	14.2 [.56]	7/8	7.6 [.30]	9.9 [.39]
202713-8-8S	C5316X8	3/4-16	3/4-16	68.6 [2.70]	11.2 [.44]	16.8 [.66]	7/8	9.9 [.39]	9.9 [.39]
202713-10-10S	C5316X10	7/8-14	7/8-14	77.2 [3.04]	12.7 [.50]	19.3 [.76]	1	12.2 [.48]	12.2 [.48]
202713-12-12S	C5316X12	1 1/16-12	1 1/16-12	91.7 [3.61]	15 [.59]	21.8 [.86]	1 1/4	15.5 [.61]	15.5 [.61]
202713-16-16S	C5316X16	1 5/16-12	1 5/16-12	101.1 [3.98]	15 [.59]	23.1 [.91]	1 1/2	21.3 [.84]	21.3 [.84]

REVISIONS			
REV	DESCRIPTION	DATE	APPROVED
G	REDRAWN. UPDATED TO DANFOSS FORMAT AND DIMENSION STYLE. 1) ADDED WEATHERHEAD PART NUMBERS.	2013-06-18 HLV/DHS	0084254-ECO
H	1) ADDED PART #202713-8-6S.	2017-10-24 VSP	CO-0154200
J	1) ADDED PART #202713-6-8S.	2018-05-30 RZH/VSP	CO-0167376

⑨



①

②

②

①

202713-16-16S	C5316X16	202703-16-16S	22617-16		
202713-12-12S	C5316X12	202703-12-12S	22617-12		
202713-10-10S	C5316X10	202703-10-10S	22617-10		
202713-8-8S	C5316X8	202703-8-8S	22617-8		
202713-8-6S	-	202703-8-6S	22617-8		
202713-6-8S	C5316X8X6	202703-6-8S	22617-6		
202713-6-6S	C5316X6	202703-6-6S	22617-6		
202713-4-4S	C5316X4	202703-4-4S	22617-4		
AEROQUIP PART NUMBER	WEATHERHEAD PART NUMBER	① ADAPTER	② O'RING		

LIST OF MATERIALS

ITEM NO.	MATERIAL	DRAWN H. VENGURLEKAR	CHECKED D. SHEWALE	APPROVED Y. KULKARNI	RELEASE DATE 2013-06-18	0084254-ECO	FLUID CONVEYANCE DIVISION	
1	STEEL						DRAWING TITLE ADAPTER	
2	NITRILE (BUNA-N)						SAE 37° FLARE- STRAIGHT THREADED CONNECTOR LONG, (SAE #071720)	
		THIRD ANGLE PROJECTION		SIZE A2	DRAWING NUMBER 202713		REV J	
		SCALE NONE	DIST U	CAGE CODE 01276	SHEET 1			

2. ASSEMBLE O'RING.

1. DIMENSIONS ARE IN MILLIMETERS [INCHES].

METRIC

THE REPRODUCTION, DISTRIBUTION AND UTILIZATION OF THIS DOCUMENT AS WELL AS THE COMMUNICATION OF ITS CONTENTS TO OTHERS WITHOUT EXPLICIT AUTHORIZATION IS PROHIBITED. OFFENDERS WILL BE HELD LIABLE FOR THE PAYMENT OF DAMAGES. ALL RIGHT RESERVED IN THE EVENT OF THE GRANT OF A PATENT, UTILITY MODEL OR DESIGN. (PER ISO 16016)