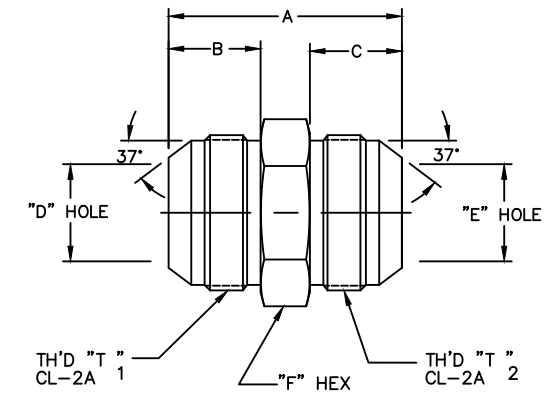


AEROQUIP PART NUMBER	WEATHERHEAD CATALOG NUMBER	TH'D "T" 1	TH'D "T" 2	A REF	B REF	C REF	ØD REF	ØE REF	F [INCH]
2027-2-2S	C5305X2	5/16-24	5/16-24	29.7 [1.17]	11.4 [.45]	11.4 [.45]	1.57 [.062]	1.57 [.062]	7/16
2027-3-3S	C5305X3	3/8-24	3/8-24	31.2 [1.23]	12.2 [.48]	12.2 [.48]	3 [.12]	3 [.12]	7/16
2027-4-3S	C5305X4X3	7/16-20	3/8-24	33 [1.30]	14 [.55]	12.2 [.48]	4.3 [.17]	3 [.12]	1/2
2027-4-4S	C5305X4	7/16-20	7/16-20	34.8 [1.37]	14 [.55]	14 [.55]	4.3 [.17]	4.3 [.17]	1/2
2027-5-4S	C5305X5X4	1/2-20	7/16-20	34.8 [1.37]	14 [.55]	14 [.55]	5.8 [.23]	4.3 [.17]	9/16
2027-5-5S	C5305X5	1/2-20	1/2-20	34.8 [1.37]	14 [.55]	14 [.55]	5.8 [.23]	5.8 [.23]	9/16
2027-6-4S	C5305X6X4	9/16-18	7/16-20	35.6 [1.40]	14.2 [.56]	14 [.55]	7.6 [.30]	4.3 [.17]	5/8
2027-6-5S	C5305X6X5	9/16-18	1/2-20	35.6 [1.40]	14.2 [.56]	14 [.55]	7.6 [.30]	5.8 [.23]	5/8
2027-6-6S	C5305X6	9/16-18	9/16-18	35.8 [1.41]	14.2 [.56]	14.2 [.56]	7.6 [.30]	7.6 [.30]	5/8
2027-8-4S	C5305X8X4	3/4-16	7/16-20	38.4 [1.51]	16.8 [.66]	14 [.55]	9.9 [.39]	4.3 [.17]	13/16
2027-8-6S	C5305X8X6	3/4-16	9/16-18	38.6 [1.52]	16.8 [.66]	14.2 [.56]	9.9 [.39]	7.6 [.30]	13/16
2027-8-8S	C5305X8	3/4-16	3/4-16	41.1 [1.62]	16.8 [.66]	16.8 [.66]	9.9 [.39]	9.9 [.39]	13/16
2027-10-4S	C5305X10X4	7/8-14	7/16-20	42.9 [1.69]	19.3 [.76]	14 [.55]	12.2 [.48]	4.3 [.17]	15/16
2027-10-6S	C5305X10X6	7/8-14	9/16-18	42.7 [1.68]	19.3 [.76]	14.2 [.56]	12.2 [.48]	7.6 [.30]	15/16
2027-10-8S	C5305X10X8	7/8-14	3/4-16	45.2 [1.78]	19.3 [.76]	16.8 [.66]	12.2 [.48]	9.9 [.39]	15/16
2027-10-10S	C5305X10	7/8-14	7/8-14	47.8 [1.88]	19.3 [.76]	19.3 [.76]	12.2 [.48]	12.2 [.48]	15/16
2027-12-6S	C5305X12X6	1 1/16-12	9/16-18	45.7 [1.80]	21.8 [.86]	14.2 [.56]	15.5 [.61]	7.6 [.30]	1 1/8
2027-12-8S	C5305X12X8	1 1/16-12	3/4-16	49.5 [1.95]	21.8 [.86]	16.8 [.66]	15.5 [.61]	9.9 [.39]	1 1/8
2027-12-10S	C5305X12X10	1 1/16-12	7/8-14	52.1 [2.05]	21.8 [.86]	19.3 [.76]	15.5 [.61]	12.2 [.48]	1 1/8
2027-12-12S	C5305X12	1 1/16-12	1 1/16-12	54.9 [2.16]	21.8 [.86]	21.8 [.86]	15.5 [.61]	15.5 [.61]	1 1/8
2027-14-14S	C5305X14	1 3/16-12	1 3/16-12	56.1 [2.21]	22.6 [.89]	22.6 [.89]	18.3 [.72]	18.3 [.72]	1 1/4
2027-16-12S	C5305X16X12	1 5/16-12	1 1/16-12	55.9 [2.20]	23.1 [.91]	21.8 [.86]	21.3 [.84]	15.5 [.61]	1 3/8
2027-16-16S	C5305X16	1 5/16-12	1 5/16-12	57.2 [2.25]	23.1 [.91]	23.1 [.91]	21.3 [.84]	21.3 [.84]	1 3/8
2027-20-16S	C5305X20X16	1 5/8-12	1 5/16-12	60.5 [2.38]	24.4 [.96]	23.1 [.91]	27.4 [1.08]	21.3 [.84]	1 11/16
2027-20-20S	C5305X20	1 5/8-12	1 5/8-12	61.7 [2.43]	24.4 [.96]	24.4 [.96]	27.4 [1.08]	27.4 [1.08]	1 11/16
2027-24-24S	C5305X24	1 7/8-12	1 7/8-12	69.9 [2.75]	27.4 [1.08]	27.4 [1.08]	33.3 [1.31]	33.3 [1.31]	2
2027-32-32S	C5305X32	2 1/2-12	2 1/2-12	86.4 [3.40]	33.8 [1.33]	33.8 [1.33]	45.2 [1.78]	45.2 [1.78]	2 5/8

REVISIONS			
REV	DESCRIPTION	DATE	APPROVED
S	RWDRAWN. UPDATED TO LATEST DANFOSS FORMAT AND DIMENSION STYLE. (1)ADDED 2027-10-4S AND 2027-12-6S PART NUMBERS.	2011-04-12 NJK/SRH	0053553-ECO



1. MATERIAL: STEEL.

DRAWN N. KASTURKAR CHECKED S. HASABE APPROVED M. TALWALKAR RELEASE DATE 2011-04-13 0053553-ECO	FLUID CONVEYANCE DIVISION DRAWING TITLE <b>ADAPTER</b> SAE 37° FLARE - UNION (SAE #070101)
THIRD ANGLE PROJECTION 	SIZE A2 SCALE NONE DIST U CAGE CODE 01276 SHEET 1
THE REPRODUCTION, DISTRIBUTION AND UTILIZATION OF THIS DOCUMENT AS WELL AS THE COMMUNICATION OF ITS CONTENTS TO OTHERS WITHOUT EXPLICIT AUTHORIZATION IS PROHIBITED. OFFENDERS WILL BE HELD LIABLE FOR THE PAYMENT OF DAMAGES. ALL RIGHT RESERVED IN THE EVENT OF THE GRANT OF A PATENT, UTILITY MODEL OR DESIGN. (PER ISO 16016)	

DWG. NO. 2027-S  
 SHEET 1  
 REV. S