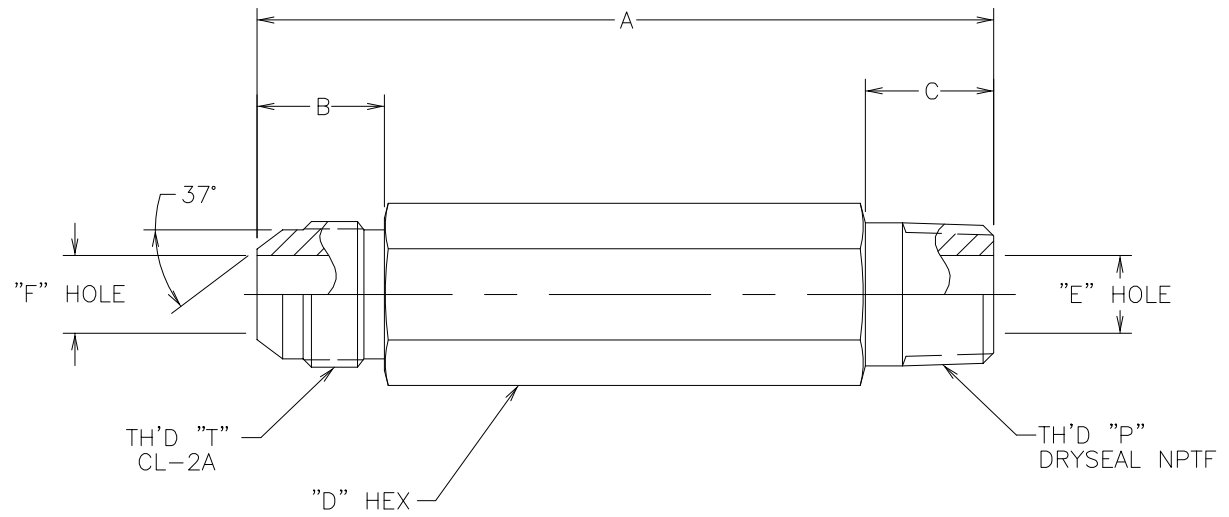


PART NUMBER	TH'D "P"	TH'D "T"	A REF	B REF	C REF	D REF	E REF	F REF
202114-2-4S	1/8-27	7/16-20	2.56	.55	.40	.50	.17	.17
202114-2-5S	1/8-27	1/2-20	2.81	.55	.40	.56	.19	.23
202114-4-4S	1/4-18	7/16-20	3.25	.55	.58	.56	.28	.17
202114-4-5S	1/4-18	1/2-20	3.25	.55	.58	.56	.28	.23
202114-4-6S	1/4-18	9/16-18	3.25	.56	.58	.62	.28	.28
202114-6-8S	3/8-18	3/4-16	4.00	.66	.58	.81	.39	.39
202114-8-6S	1/2-14	9/16-18	4.17	.56	.76	.88	.53	.30
202114-8-10S	1/2-14	7/8-14	4.38	.76	.76	.94	.48	.48
202114-12-12S	3/4-14	1 1/16-12	5.00	.86	.76	1.12	.72	.61
202114-12-16S	3/4-14	1 5/16-12	5.56	.91	.76	1.38	.72	.84
202114-16-16S	1-11 1/2	1 5/16-12	5.75	.91	.96	1.38	.84	.84

REVISIONS			
REV.	DESCRIPTION	DATE	APPROVED
L	REDRAWN - LAST REV. "K" REVISED DIMENSIONS TO AGREE WITH DETAIL DRAWINGS	8-30-93	EN-F14194 DAI-17511



CONVERTED DRAWING CADAM to AutoCAD 9/98

DWG. NO. 202114-S
SHEET L
REV. L
T1
99

1. MATERIAL: STEEL.

THE REPRODUCTION, DISTRIBUTION AND UTILIZATION OF THIS DOCUMENT AS WELL AS THE COMMUNICATION OF ITS CONTENTS TO OTHER WITHOUT EXPLICIT AUTHORIZATION IS PROHIBITED. OFFENDERS WILL BE HELD LIABLE FOR THE PAYMENT OF DAMAGES. ALL RIGHT RESERVED IN THE EVENT OF THE GRANT OF A PATENT, UTILITY MODEL OR DESIGN. (PER ISO 16016)

DRAWN R.D. GARRETT	DATE 8-30-93	Danfoss FLUID CONVEYANCE DIVISION
CHECKED R.D. GARRETT	DATE 8-30-93	
APPROVED R.D. GARRETT	DATE 8-30-93	DRAWING TITLE
RELEASED EN-F14194	DATE 8-30-93	ADAPTER
PROJECT NO. DAI-17511	APC NO.	SAE 37° FLARE - MALE CONNECTOR EXTRA LONG
DESIGN APPROVED	SIZE C	(CAGE) CODE NO. 01276
APPROVED		DRAWING NUMBER 202114-S
		SHEET U