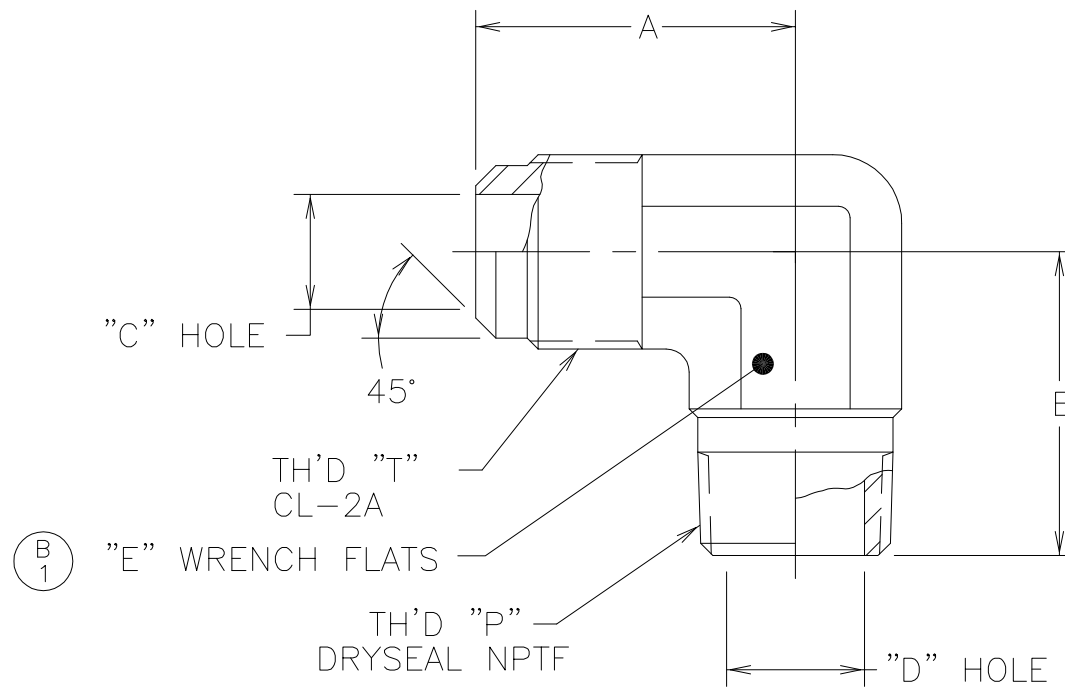


PART NUMBER	TH'D "P"	TH'D "T"	A REF	B REF	C REF	D REF	E REF
2003-2-4B	1/8-27	7/16-20	.84	.79	.19	.22	.38
2003-2-5B	1/8-27	1/2-20	.91	.78	.22	.22	.44
2003-2-6B	1/8-27	5/8-18	1.00	.88	.28	.22	.47
2003-4-4B	1/4-18	7/16-20	.81	.88	.19	.19	.44
2003-4-5B	1/4-18	1/2-20	.98	.96	.22	.23	.44
2003-4-6B	1/4-18	5/8-18	1.00	.88	.28	.28	.47
2003-4-8B	1/4-18	3/4-16	1.19	1.00	.41	.31	.59
2003-6-4B	3/8-18	7/16-20	.91	.91	.19	.28	.47
2003-6-5B	3/8-18	1/2-20	1.00	.91	.22	.28	.47
2003-6-6B	3/8-18	5/8-18	1.02	.91	.28	.28	.47
2003-6-8B	3/8-18	3/4-16	1.19	1.00	.41	.41	.59
2003-6-10B	3/8-18	7/8-14	1.36	1.22	.50	.41	.72
2003-8-6B	1/2-14	5/8-18	1.10	1.09	.28	.41	.59
2003-8-8B	1/2-14	3/4-16	1.16	1.14	.41	.41	.59
2003-8-10B	1/2-14	7/8-14	1.35	1.22	.50	.50	.72
2003-8-12B	1/2-14	1 1/16-14	1.67	1.50	.63	.56	.88
2003-12-8B	3/4-14	3/4-16	1.42	1.25	.41	.63	.81
2003-12-10B	3/4-14	7/8-14	1.43	1.31	.50	.56	.81
2003-12-12B	3/4-14	1 1/16-14	1.67	1.63	.63	.63	.88

REVISIONS			
REV.	DESCRIPTION	DATE	APPROVED
A	(1) ADDED ALL SIZES EXCEPT FOR 2003-4-8B	5-15-96 R.D.G.	EN-F16412 DP-24771
B	(1) ADDED DIMENSION "E"	12-9-96 R.D.G.	EN-F16835 DP-24771
C	(1) PART NO REMOVED 2003-12-6B	2005-08-11 YPK/ANS	EN-F28365 DP-16339



(A) 1 (C) 1

(B) 1

CONVERTED DRAWING CADAM to AutoCAD 8/98

1. MATERIAL: BRASS

THE REPRODUCTION, DISTRIBUTION AND UTILIZATION OF THIS DOCUMENT AS WELL AS THE COMMUNICATION OF ITS CONTENTS TO OTHER WITHOUT EXPLICIT AUTHORIZATION IS PROHIBITED. OFFENDERS WILL BE HELD LIABLE FOR THE PAYMENT OF DAMAGES. ALL RIGHT RESERVED IN THE EVENT OF THE GRANT OF A PATENT, UTILITY MODEL OR DESIGN. (PER ISO 16016)

DRAWN M. MOLINA	DATE 5-2-96	<b>Danfoss</b> FLUID CONVEYANCE DIVISION
CHECKED R.D.GARRETT	DATE 5-2-96	
APPROVED R.D.GARRETT	DATE 5-2-96	
RELEASED EN-F16398	DATE 5-2-96	
PROJECT NO. DP-24771	APC NO.	
DRAWING TITLE ADAPTER		
90°, SAE 45° MALE FLARE TO MALE PIPE		
APPROVED DATE	SIZE B	(CAGE) CODE NO. 01276
ITEM TYPE MFCB		DRAWING NUMBER 2003-B
		SHEET U