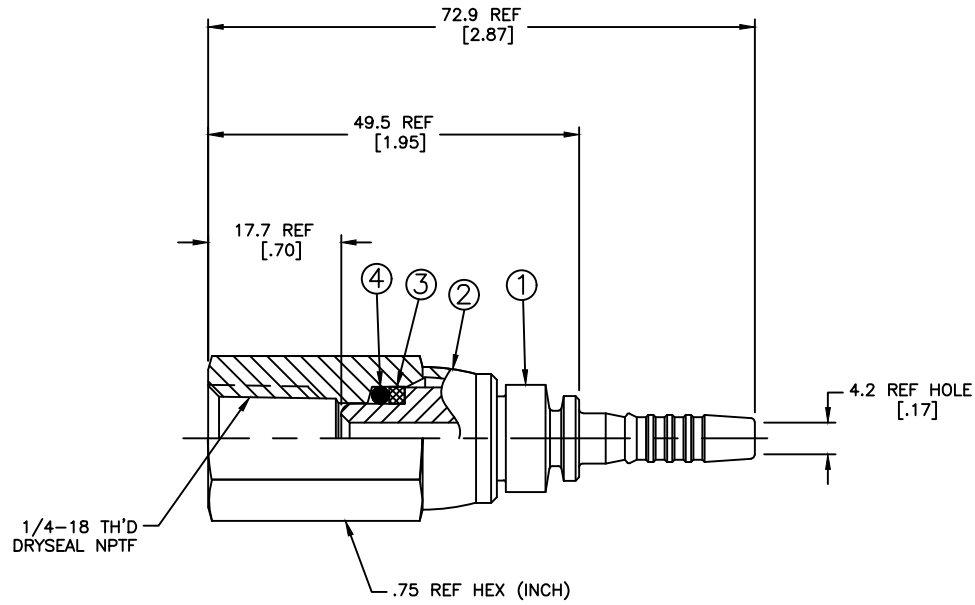


REVISIONS			
REV	DESCRIPTION	DATE	APPROVED



METRIC

- 2. DIMENSIONS ARE IN MILLIMETERS [INCHES].
- 1. ASSEMBLE NUT PER ACES 2409P15 AND 100% INSPECT TO INSURE NUT SWIVELS.

1SA4PF4	1F40134-0404-S	FW1178-0404S	FF9686-04	22550-110
AEROQUIP PART NUMBER	① NIPPLE	② NUT	③ BACKUP RING	④ O'RING
LIST OF MATERIALS				
ITEM NO.	MATERIAL	DRAWN J. BAHNSEN CHECKED R.D. GARRETT APPROVED R.D. GARRETT RELEASE DATE 2000-07-11 EN-F20286 DP-129B THIRD ANGLE PROJECTION ITEM TYPE: EGPA		
1	STEEL	FLUID CONVEYANCE DIVISION DRAWING TITLE NIPPLE ASSEMBLY FEMALE PIPE SWIVEL, 2781 HOSE SIZE A2 DRAWING NUMBER 1SA4PF4 SCALE 2:1 DIST U CAGE CODE 01276 SHEET NO		
2	STEEL			
3	TEFLON			
4	NITRILE (BUNA-N)			

DWG. NO. 1SA4PF4 SH. REV.