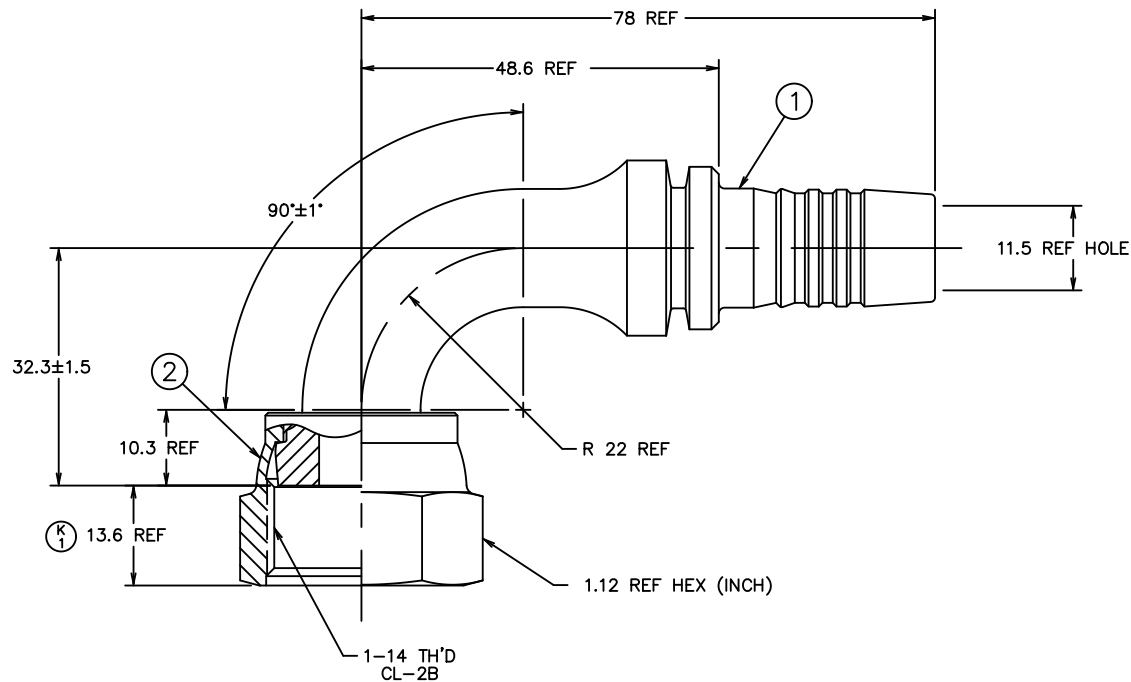


REVISIONS			
REV	DESCRIPTION	DATE	APPROVED
K	REDRAWN - SUPERSEDES 1SA_FRB-SHEET 2 REV."J" FOR 1SA10FRB10 (1) WAS 13.5 REF	11-3-95	EN-F16053 DP-24900
L	1) NOTE #1(b) WAS ZINC PLATE PER ACES 2751	2020-05-21 ARK	CO-0203424



78	3.07
48.6	1.91
32.3±1.5	1.27±.06
22	.87
13.6	.54
11.5	.45
10.3	.41
MM	INCH

CONVERSION

METRIC

1SA10FRB10	1F40023-1010AB	FC1473-10S			
AEROQUIP PART NUMBER	① NIPPLE	② NUT			
LIST OF MATERIALS					
ITEM NO.	MATERIAL	DRAWN R.D. GARRETT CHECKED M. MOLINA APPROVED R.D. GARRETT RELEASE DATE 1995-11-7 EN-F16053 DP-24900 THIRD ANGLE PROJECTION			
1	STEEL	FLUID CONVEYANCE DIVISION DRAWING TITLE NIPPLE ASSEMBLY 90°, ORS FEMALE SWIVEL 2781 HOSE SIZE A2 DRAWING NUMBER 1SA10FRB10 REV L SCALE 2/1 DIST U CAGE CODE 01276 SHEET 1			
2	STEEL				
THE REPRODUCTION, DISTRIBUTION AND UTILIZATION OF THIS DOCUMENT AS WELL AS THE COMMUNICATION OF ITS CONTENTS TO OTHERS WITHOUT EXPLICIT AUTHORIZATION IS PROHIBITED. OFFENDERS WILL BE HELD LIABLE FOR THE PAYMENT OF DAMAGES. ALL RIGHT RESERVED IN THE EVENT OF THE GRANT OF A PATENT, UTILITY MODEL OR DESIGN. (PER ISO 18016)					

1. PROCESS AS FOLLOWS:
 (a) BEND NIPPLE TO DIMENSIONS SHOWN.
 (b) ZINC PLATE PER ES 2751D8.
 (c) CRIMP NUT PER ACES 2409P1.