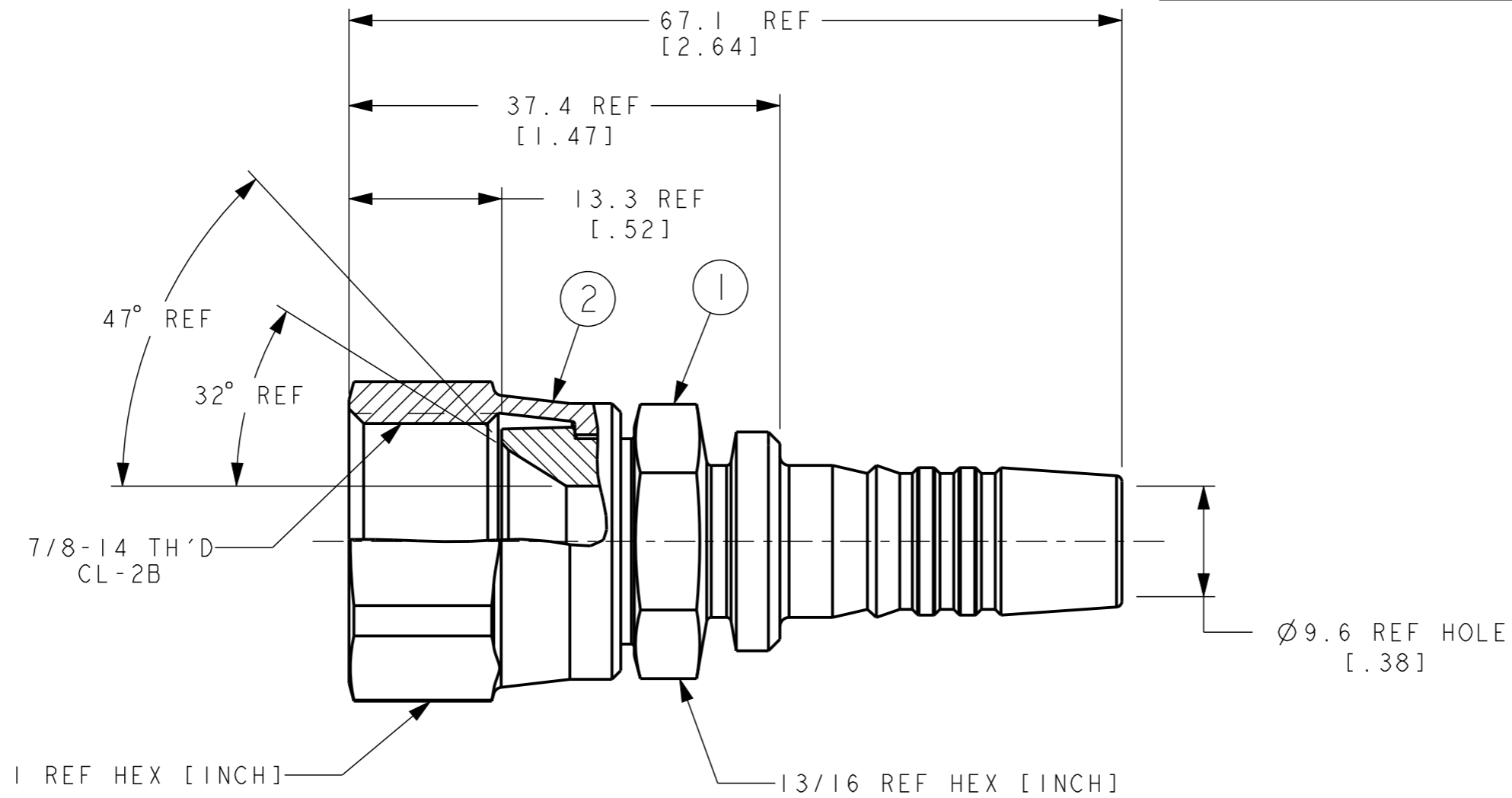


PART NUMBER	SURFACE AREA	MASS
ISA10FJ8	8893 mm ²	82 g


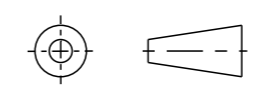
REVISIONS			
REV	DESCRIPTION	DATE	APPROVED
E	REDRAWN. UPDATED TO LATEST FORMAT TO SHOW DUAL SEATING NIPPLE DESIGN.	2023-07-15 VSP	CO-0229730



METRIC

ISA10FJ8	IF40000A1008-S	210204-10S			
PART NUMBER	(1) NIPPLE	(2) NUT			

LIST OF MATERIALS

ITEM NO.	MATERIAL	FLUID CONVEYANCE DIVISION MAUMEE, OHIO U.S.A.		DRAWN V. PATIL	
1	STEEL			CHECKED V. PATIL	
2	STEEL			APPROVED B. JADHAV	
		CO-0229730	CAGE CODE 01276	RELEASE DATE 2023-07-15	
		THIRD ANGLE PROJECTION	DIST U	DRAWING INTERPRETATION PER ES 10	
			SIZE A3	DRAWING TITLE	
			SCALE 2/1	NIPPLE ASSEMBLY	
			SHEET 1	HIGH PRESSURE SAE 37° FEMALE SWIVEL 2781 HOSE	
				DRAWING NUMBER	REV
				ISA10FJ8	E

2. PROCESS AS FOLLOWS:
(a) CRIMP NUT PER ACES 2813.
1. DIMENSIONS ARE IN MILLIMETERS [INCHES].

THE REPRODUCTION, DISTRIBUTION, AND UTILIZATION OF THIS DOCUMENT AS WELL AS THE COMMUNICATION OF ITS CONTENTS TO OTHERS WITHOUT EXPLICIT AUTHORIZATION IS PROHIBITED. OFFENDERS WILL BE HELD LIABLE FOR THE PAYMENT OF DAMAGES. ALL RIGHTS RESERVED IN THE EVENT OF THE GRANT OF A PATENT, UTILITY MODEL OR DESIGN. (PER ISO 16016)