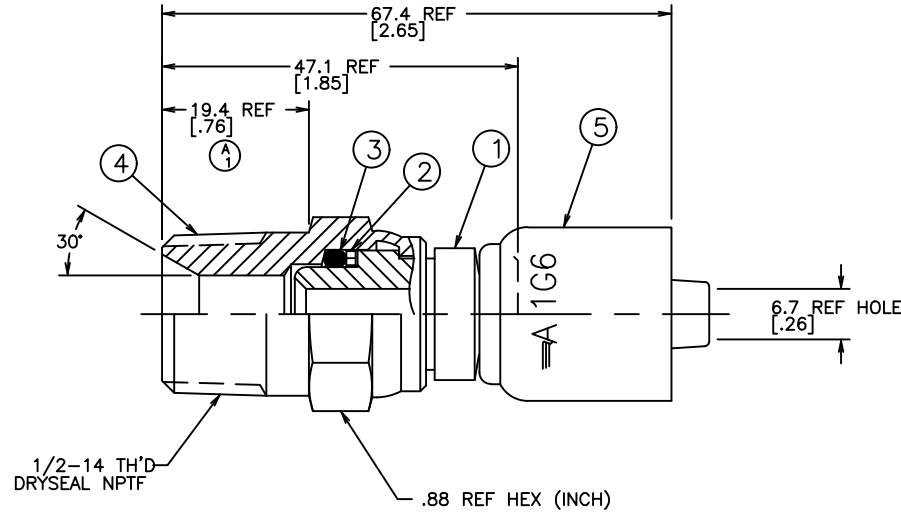


THE REPRODUCTION, DISTRIBUTION AND UTILIZATION OF THIS DOCUMENT AS WELL AS THE COMMUNICATION OF ITS CONTENTS TO OTHERS WITHOUT EXPLICIT AUTHORIZATION IS PROHIBITED. OFFENDERS WILL BE HELD LIABLE FOR THE PAYMENT OF DAMAGES. ALL RIGHT RESERVED IN THE EVENT OF THE GRANT OF A PATENT, UTILITY MODEL OR DESIGN. (PER ISO 18018)

REVISIONS			
REV	DESCRIPTION	DATE	APPROVED
A	REDRAWN - SUPERSEDES 1GA_PS_ REV. NONE* FOR 1GABPS6 (1) WAS 19 REF	12-19-95	EN-F16133 DP-24900
B	(1) NOTE #1(a) WAS "ASSEMBLE NUT PER ACES 1831 AND 100% INSPECT TO INSURE NUT SWIVELS." (2) ADDED NOTE #3.	2000-03-2	EN-F19797 DP-1299 R.D.C.



METRIC

3. DIMENSIONS ARE IN MILLIMETERS [INCHES]. (B/2)
2. 1SA8PS6 NIPPLE ASSEMBLY MAY BE SUBSTITUTED FOR ITEMS #1, #2, #3 AND #4.
1. PROCESS AS FOLLOWS:
 - (a) ASSEMBLE NUT PER ACES 2409P5 AND 100% INSPECT TO INSURE NUT SWIVELS. (B/1)
 - (b) ASSEMBLE SOCKET PER ACES 2813.

1GA8PS6	1F40005-0606-S	FF9686-06	22550-112	221033-8-6S	1G6
AEROQUIP PART NUMBER	(1) NIPPLE	(2) BACK-UP RING	(3) O-RING	(4) NUT	(5) SOCKET
LIST OF MATERIALS					
ITEM NO.	MATERIAL	DRAWN R.D.GARRETT CHECKED M.MOLINA APPROVED R.D.GARRETT RELEASE DATE 12-21-95 EN-F16133 DP-24900 THIRD ANGLE PROJECTION			
1	STEEL	FLUID CONVEYANCE DIVISION DRAWING TITLE FITTING ASSEMBLY MALE PIPE SWIVEL, OTC SIZE C DRAWING NUMBER 1GA8PS6 REV B SCALE 2/1 DIST U CAGE CODE 01276 SHEET NO			
2	TEFLON				
3	NITRILE (BUNA-N)				
4	STEEL				
5	STEEL				
ITEM TYPE EBPA					

DWG. NO. 1GABPS6 SH. REV. B