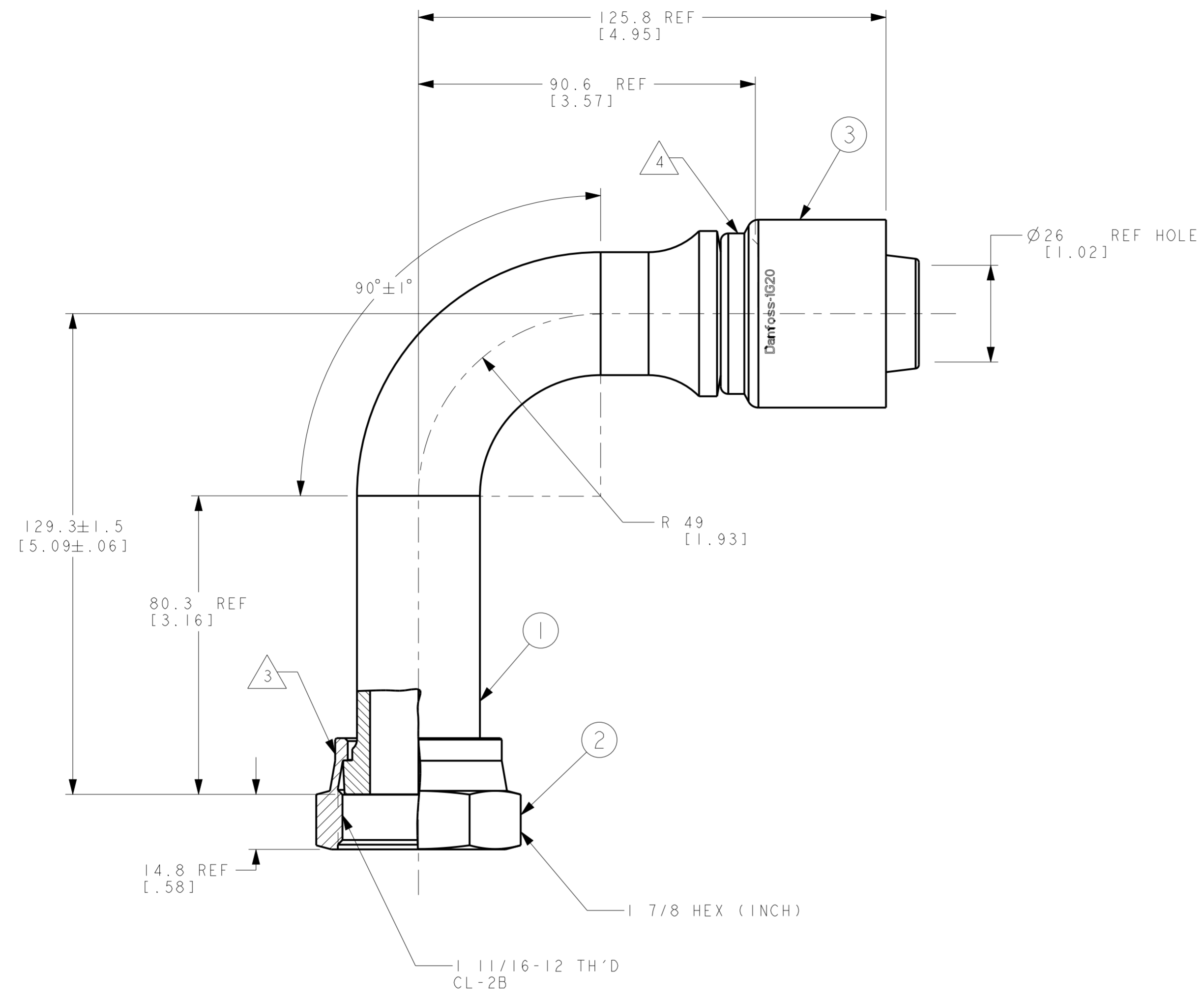


REVISIONS			
REV	DESCRIPTION	DATE	APPROVED
D	REDRAWN AND REDESIGNED SUPERSEDES IGA20FRC20_SHT1 REV. "C" (WAS BRAZE TYPE)	2010-05-17 RSW/DHS	0041734-ECO



METRIC

- 4. ASSEMBLE SOCKET PER ACES 2813.
- 3. CRIMP NUT PER ES 2409P1.
- 2. ZINC PLATE PER ES 2751.

1. DIMENSIONS ARE IN MILLIMETERS [INCHES].

IGA20FRC20	IF40056-2020AB	FC1473-20S	IG20		
PART NUMBER	① NIPPLE	② NUT	③ SOCKET		

LIST OF MATERIALS

ITEM NO.	MATERIAL	FLUID CONVEYANCE DIVISION MAUMEE, OHIO U.S.A.	DRAWN R. WALGUDE
1	STEEL		CHECKED D. SHEWALE
2	STEEL		APPROVED R. RUTSCHILLING
3	STEEL		RELEASE DATE 2010-05-17
			DRAWING INTERPRETATION PER ES 10
			DRAWING TITLE
			FITTING ASSEMBLY
			90°, ORS FEMALE SWIVEL, GH493 HOSE
			DRAWING NUMBER
			IGA20FRC20
			REV
			D

0041734-ECO	CAGE CODE 01276
THIRD ANGLE PROJECTION	DIST U
SIZE A2	
SCALE 1/1	
SHEET 1	

THE REPRODUCTION, DISTRIBUTION, AND UTILIZATION OF THIS DOCUMENT AS WELL AS THE COMMUNICATION OF ITS CONTENTS TO OTHERS WITHOUT EXPLICIT AUTHORIZATION IS PROHIBITED. OFFENDERS WILL BE HELD LIABLE FOR THE PAYMENT OF DAMAGES. ALL RIGHTS RESERVED IN THE EVENT OF THE GRANT OF A PATENT, UTILITY MODEL OR DESIGN. (PER ISO 16016)

REV. D  
SH. 1  
IGA20FRC20  
DWG. NO.