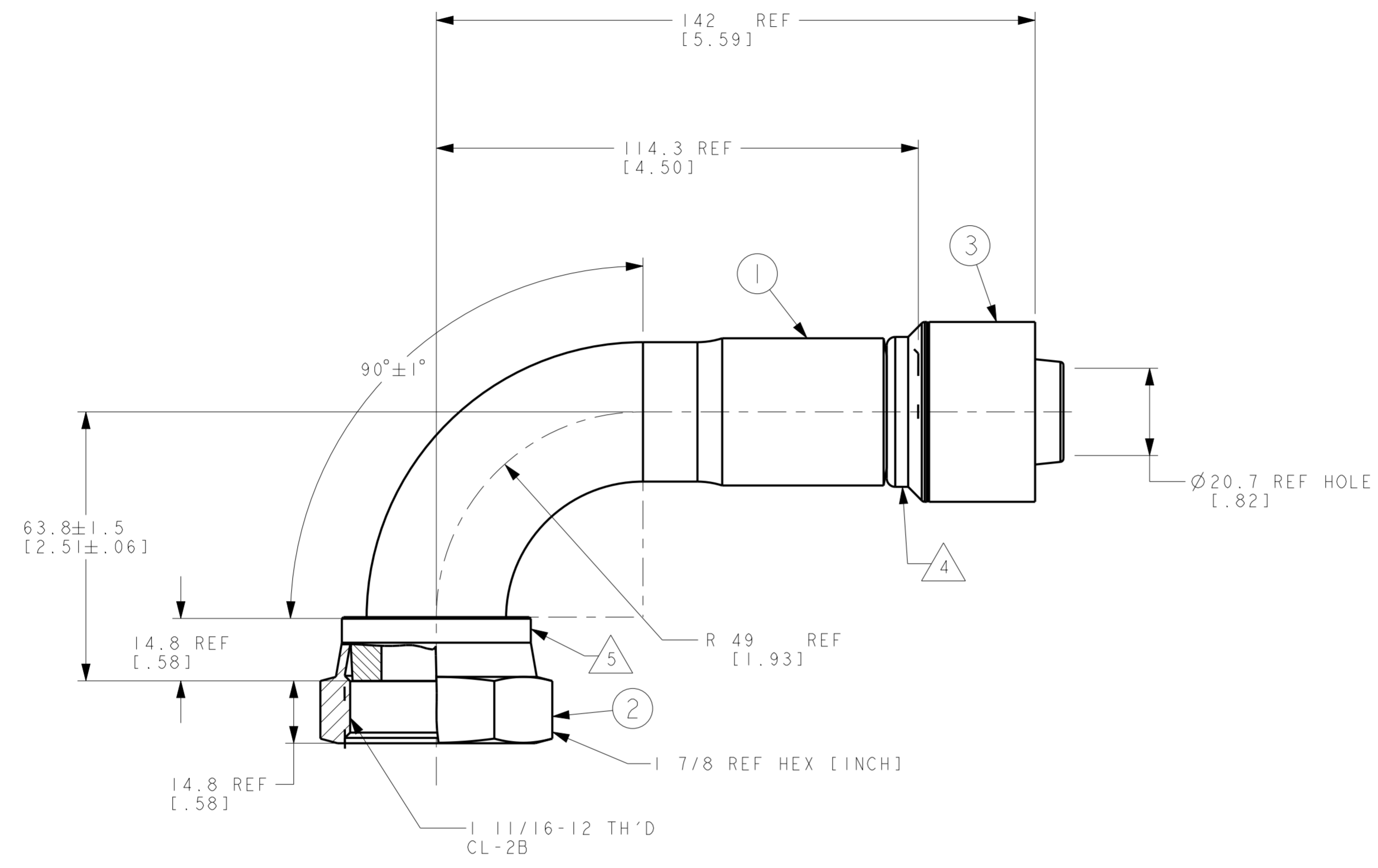


REVISIONS			
REV	DESCRIPTION	DATE	APPROVED
D	REDRAWN & REDESIGNED.	2018-10-16 VVS	CO-0174998




METRIC

- △6 ISA20FRBI6 NIPPLE ASSEMBLY MAY BE SUBSTITUTED FOR ITEM #1 AND #2.
- △5 CRIMP NUT PER ES 2409P1.
- △4 CRIMP SOCKET PER ACES 2813.
- △3 ZINC PLATE PER ES 2751.
- 2. BEND NIPPLE TO DIMENSIONS SHOWN.
- 1. DIMENSIONS ARE IN MILLIMETERS [INCHES].

△6 △3

IGA20FRBI6	IF40023-2016AB	FC1473-20S	IG16		
PART NUMBER	① NIPPLE	② NUT	③ SOCKET		

LIST OF MATERIALS		FLUID CONVEYANCE DIVISION MAUMEE, OHIO U.S.A.		DRAWN V. SURVE	
ITEM NO.	MATERIAL			CHECKED	V. SURVE
1	STEEL			APPROVED	J. HINTON
2	STEEL			RELEASE DATE	2018-10-16
3	STEEL	DRAWING INTERPRETATION PER ES 10		DRAWING TITLE	
		CO-0174998		FITTING ASSEMBLY	
		CAGE CODE 01276		90°, ORS FEMALE SWIVEL, OTC	
		THIRD ANGLE PROJECTION		DRAWING NUMBER	
		SIZE A2		IGA20FRBI6	
		SCALE 1/1		REV	
		SHEET 1		D	
<small>THE REPRODUCTION, DISTRIBUTION, AND UTILIZATION OF THIS DOCUMENT AS WELL AS THE COMMUNICATION OF ITS CONTENTS TO OTHERS WITHOUT EXPLICIT AUTHORIZATION IS PROHIBITED. OFFENDERS WILL BE HELD LIABLE FOR THE PAYMENT OF DAMAGES. ALL RIGHTS RESERVED IN THE EVENT OF THE GRANT OF A PATENT, UTILITY MODEL OR DESIGN. (PER ISO 16016)</small>					