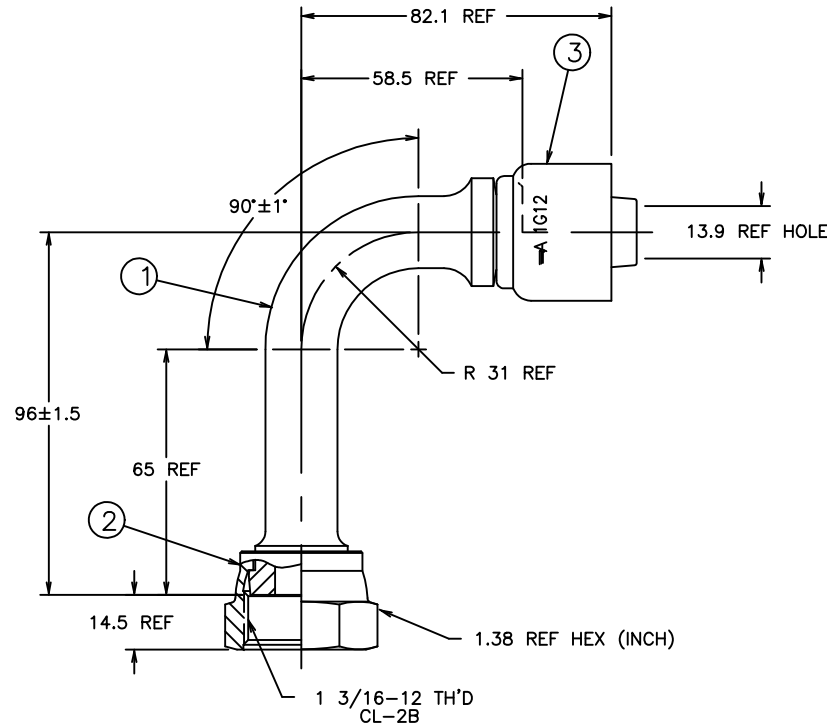


THE REPRODUCTION, DISTRIBUTION AND UTILIZATION OF THIS DOCUMENT AS WELL AS THE COMMUNICATION OF ITS CONTENTS TO OTHERS WITHOUT EXPLICIT AUTHORIZATION IS PROHIBITED. OFFENDERS WILL BE HELD LIABLE FOR THE PAYMENT OF DAMAGES. ALL RIGHT RESERVED IN THE EVENT OF THE GRANT OF A PATENT, UTILITY MODEL OR DESIGN. (PER ISO 18016)

REVISIONS

REV	DESCRIPTION	DATE	APPROVED
D	REDRAWN & REDESIGNED - LAST REV "C" (WAS BRAZED DESIGN)	12-13-96	EN-F16830 DP-1141



96±1.5	3.78±.06
82.1	3.23
65	2.56
58.5	2.30
31	1.22
14.5	.57
13.9	.55
MM	INCH

CONVERSION

METRIC

2. 1SA12FRC12 NIPPLE ASSEMBLY MAY BE SUBSTITUTED FOR ITEMS #1 AND #2.

1. PROCESS AS FOLLOWS:

- (a) BEND NIPPLE TO DIMENSIONS SHOWN.
- (b) ZINC PLATE PER ACES 2751.
- (c) CRIMP NUT PER ACES 2409P1.
- (d) ASSEMBLE SOCKET PER ACES 2813.

ITEM NO.	MATERIAL	DRAWN	CHECKED	APPROVED	RELEASE DATE	EN-F16830	DP-1141	THIRD ANGLE PROJECTION	ITEM TYPE: EGDA
1	STEEL	ROSS KREGER	RD GARRETT	RD GARRETT	12-18-96	EN-F16830	DP-1141		
2	STEEL								
3	STEEL								

1GA12FRC12	1F40056-1212AB	FC1473-12S	1G12
AEROQUIP PART NUMBER	① NIPPLE	② NUT	③ SOCKET
LIST OF MATERIALS			
DRAWN: ROSS KREGER			
CHECKED: RD GARRETT			
APPROVED: RD GARRETT			
RELEASE DATE: 12-18-96			
EN-F16830			
DP-1141			
SIZE: C	DRAWING NUMBER: 1GA12FRC12	REV: D	
SCALE: 1/1	DIST: U	CAGE CODE: 01276	SHEET NO:

Garrett FLUID CONVEYANCE DIVISION

DRAWING TITLE
FITTING ASSEMBLY
90°, ORS FEMALE SWIVEL, OTC

CONVERTED DRAWING CADAM to AutoCAD 8/98

DWG. NO. 1GA12FRC12 SH. D