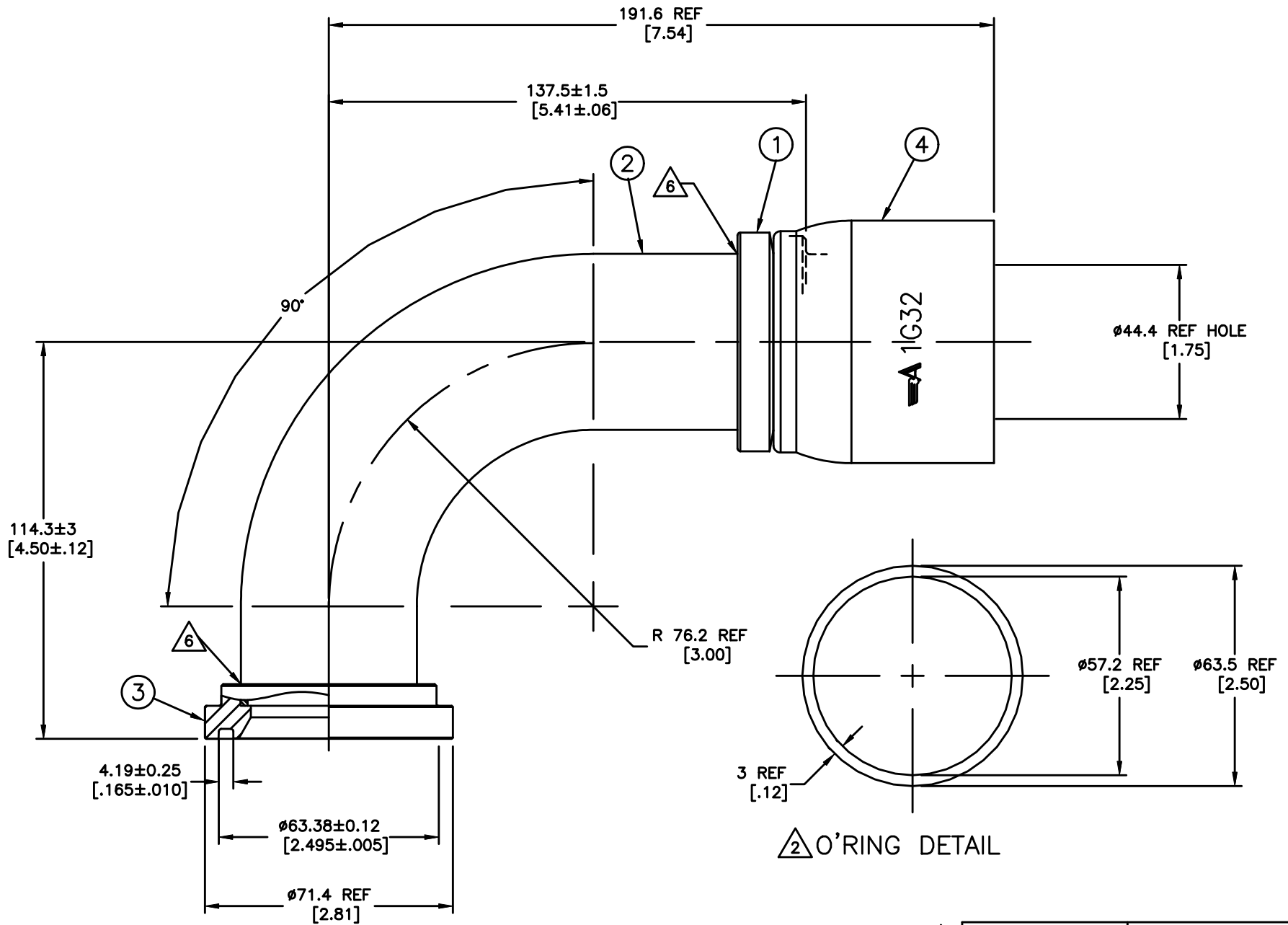


| REVISIONS | | | |
|-----------|---|------------|---------------------------------|
| REV | DESCRIPTION | DATE | APPROVED |
| G | REDRAWN & REDESIGNED (1) ADDED INCH DIMENSIONS AND NOTE #4 (2) ADDED ALTERNATE CONSTRUCTION, NOTE #5. | 2000-09-11 | EN-F22890 DP-1299 BAL/WRH |



② O-RING DETAIL

METRIC

| | | | | | | |
|---|----------------------|----------------|-----------------|--------------|----------|--|
| ⑤ | 1G32FLB32 | 1F90001-5032AR | 19.020-50.2 | 17.007-50-32 | 1G32 | |
| | 1G32FLB32 | 1F40014-3232AB | 1F40034-32-01AB | 4624-32S | 1G32 | |
| | AEROQUIP PART NUMBER | ① NIPPLE | ② ELBOW | ③ SHOULDER | ④ SOCKET | |

LIST OF MATERIALS

| ITEM NO. | MATERIAL |
|----------|----------|
| 1 | STEEL |
| 2 | STEEL |
| 3 | STEEL |
| 4 | STEEL |

| | |
|---|---|
| DRAWN B.LAMPLEY CHECKED W.R.HYDE APPROVED W.R.HYDE RELEASE DATE 2002-10-16 EN-F22890 DP-1299 THIRD ANGLE PROJECTION | Danfoss FLUID CONVEYANCE DIVISION DRAWING TITLE FITTING ASSEMBLY 90°, SPLIT FLANGE TYPE (CODE 61), OTC |
| SIZE A2 | DRAWING NUMBER 1G32FLB32 |
| SCALE 1/1 | DIST U |
| CAGE CODE 01276 | SHEET G |

- ⑥ BRAZE PER ACES 2751.
- ⑤ ALTERNATIVE CONSTRUCTION. ②
- ④ DIMENSIONS ARE IN MILLIMETERS [INCHES]. ①
- ③ 1S32FLB32 NIPPLE ASSEMBLY MAY BE SUBSTITUTED FOR ITEMS #1, #2 & #3.
- ② O-RING SHOWN FOR REFERENCE ONLY: SUPPLIED BUT NOT FURNISHED WITH ASSEMBLY.
- ① ZINC PLATE PER ACES 2751.

1G32FLB32