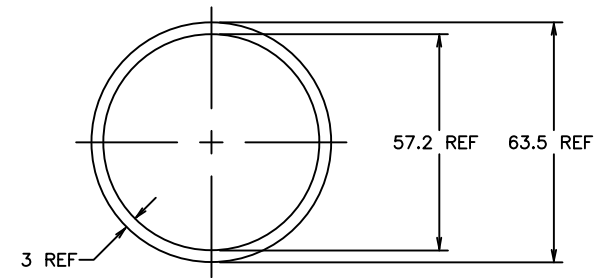
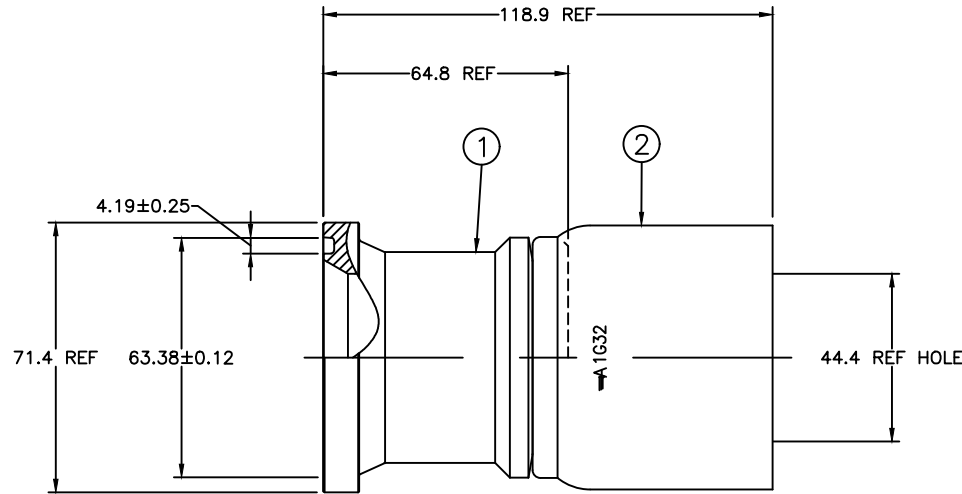


THE REPRODUCTION, DISTRIBUTION AND UTILIZATION OF THIS DOCUMENT AS WELL AS THE COMMUNICATION OF ITS CONTENTS TO OTHERS WITHOUT EXPLICIT AUTHORIZATION IS PROHIBITED. OFFENDERS WILL BE HELD LIABLE FOR THE PAYMENT OF DAMAGES. ALL RIGHT RESERVED IN THE EVENT OF THE GRANT OF A PATENT, UTILITY MODEL OR DESIGN. (PER ISO 18018)

REVISIONS

REV	DESCRIPTION	DATE	APPROVED
F	REDRAWN & REDESIGNED LAST REV "E" (WAS BRAZED DESIGN) UPDATED DIMENSIONS TO AGREE WITH DETAIL DRAWINGS	1998-11-19	EN-F18176 DP-1201



△ 2 O'RING DETAIL

118.9	4.68
71.4	2.81
64.8	2.55
63.5	2.50
63.38±0.12	2.495±.005
57.2	2.25
44.4	1.75
4.19±0.25	.165±.010
3	.12
MM	INCH

CONVERSION

METRIC

1G32FL32	1S32FL32	1G32			
AEROQUIP PART NUMBER	① NIPPLE	② SOCKET			
LIST OF MATERIALS					
ITEM NO.	MATERIAL	DRAWN J. ASHE	FLUID CONVEYANCE DIVISION DRAWING TITLE FITTING ASSEMBLY SPLIT FLANGE TYPE (CODE 61), OTC		
1	STEEL	CHECKED R.D. GARRETT			
2	STEEL	APPROVED R.D. GARRETT			
		RELEASE DATE 1998-11-30			
		EN-F18176 DP-1201	SIZE C	DRAWING NUMBER 1G32FL32	REV F
		THIRD ANGLE PROJECTION	SCALE 1/1	DIST U	CAGE CODE 01276
		ITEM TYPE: EBBA			SHEET NO

△ 2. O'RING SHOWN FOR REFERENCE ONLY. SUPPLIED BUT NOT FURNISHED WITH ASSEMBLY.
1. ASSEMBLE SOCKET PER ACES 2813.

REV. F SH. 1G32FL32 DWG. NO.