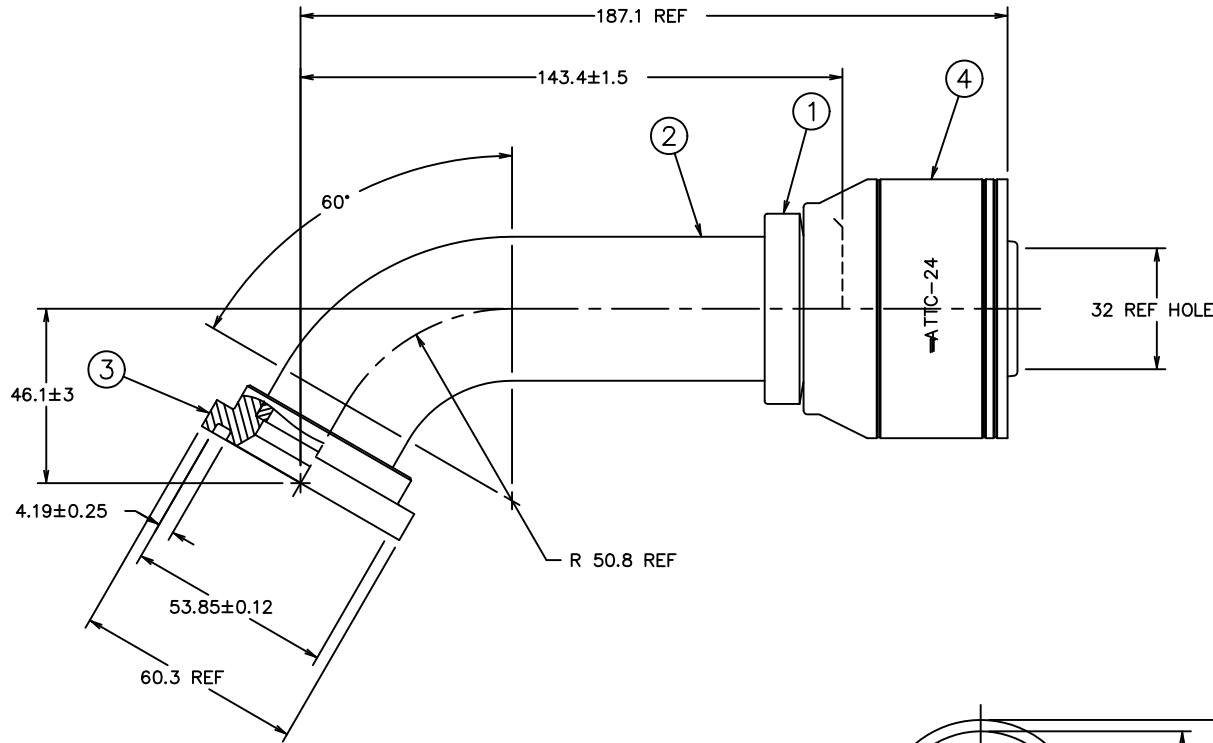


THE REPRODUCTION, DISTRIBUTION AND UTILIZATION OF THIS DOCUMENT AS WELL AS THE COMMUNICATION OF ITS CONTENTS TO OTHERS WITHOUT EXPLICIT AUTHORIZATION IS PROHIBITED. OFFENDERS WILL BE HELD LIABLE FOR THE PAYMENT OF DAMAGES. ALL RIGHT RESERVED IN THE EVENT OF THE GRANT OF A PATENT, UTILITY MODEL OR DESIGN. (PER ISO 18016)

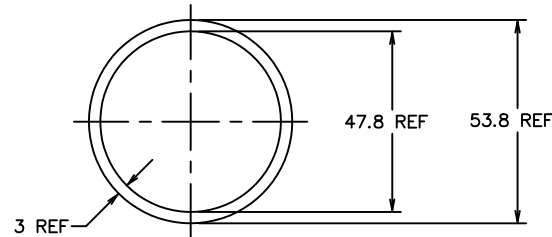
REVISIONS

REV	DESCRIPTION	DATE	APPROVED
A	REDRAWN - SUPERSEDES 1A_FLG_ REV. NONE" FOR 1A24FLG24	1-24-96	EN-F16264 DP-24900



187.1	7.37
143.4±1.5	5.65±.06
60.3	2.37
53.85±0.12	2.120±.005
53.8	2.12
50.8	2.00
47.8	1.88
46.1±3	1.81±.12
32	1.26
4.19±0.25	.165±.010
3	.12
MM	INCH

CONVERSION



2 O'RING DETAIL

METRIC

- 1S24FLG24 NIPPLE ASSEMBLY MAY BE SUBSTITUTED FOR ITEMS #1, #2, AND #3.
- O'RING SHOWN FOR REFERENCE ONLY. SUPPLIED BUT NOT FURNISHED WITH ASSEMBLY.
- PROCESS AS FOLLOWS:
 - BRAZE PER ACES 2814. (NIPPLE ON LONG TANGENT END)
 - ZINC PLATE PER ACES 2751.
 - ASSEMBLE SOCKET PER ACES 2813.

ITEM NO.	MATERIAL	1A24FLG24	1F40014-2424AB	1F40037-24-01AB	4624-24S	1A24			
AEROQUIP PART NUMBER		①	NIPPLE	②	ELBOW	③	SHOULDER	④	SOCKET
LIST OF MATERIALS									
DRAWN		R.D.GARRETT							
CHECKED		M.MOLINA							
APPROVED		R.D.GARRETT							
RELEASE DATE		1-25-96							
EN-F16264 DP-24900		SIZE		DRAWING NUMBER		REV			
THIRD ANGLE PROJECTION		C		1A24FLG24		A			
SCALE		1/1		DIST		U		CAGE CODE 01276 SHEET NO	

Garrett FLUID CONVEYANCE DIVISION

DRAWING TITLE
FITTING ASSEMBLY
60°, SPLIT FLANGE TYPE (CODE 61),
GH663/GH793 HOSE