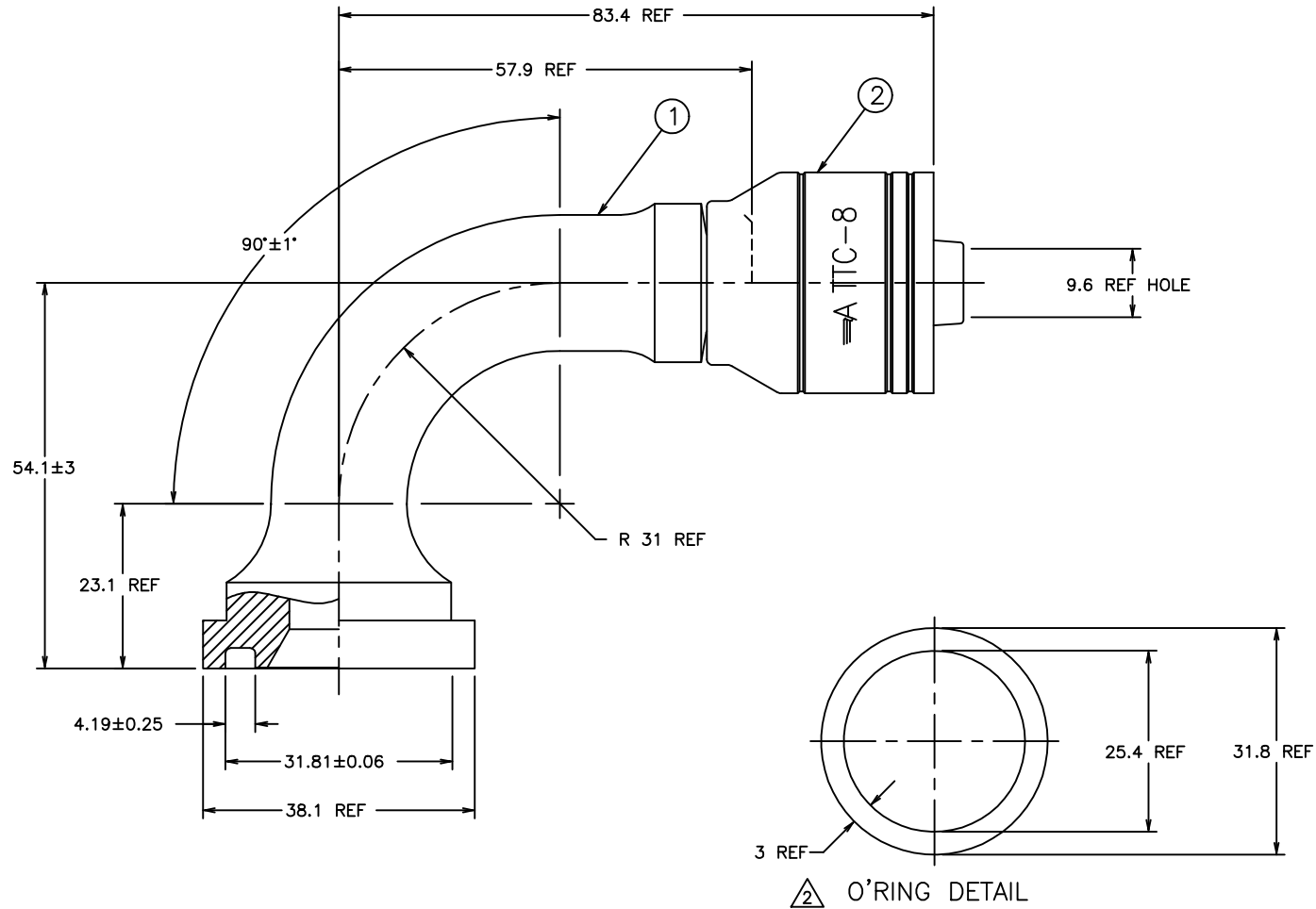


THE REPRODUCTION, DISTRIBUTION AND UTILIZATION OF THIS DOCUMENT AS WELL AS THE COMMUNICATION OF ITS CONTENTS TO OTHER WITHOUT EXPLICIT AUTHORIZATION IS PROHIBITED. OFFENDERS WILL BE HELD LIABLE FOR THE PAYMENT OF DAMAGES. ALL RIGHT RESERVED IN THE EVENT OF THE GRANT OF A PATENT, UTILITY MODEL OR DESIGN. (PER ISO 16016)

REVISIONS			
REV	DESCRIPTION	DATE	APPROVED
F	REDRAWN & REDESIGNED - LAST REV "E" (WAS BRAZE DESIGN)	9-30-96	EN-F16686 DP-1141



83.4	3.28
57.9	2.28
54.1±3	2.13±.12
38.1	1.50
31.81±0.06	1.2525±.0025
31.8	1.25
31	1.22
25.4	1.00
23.1	.91
9.6	.38
4.19±0.25	.165±.010
3	.12
MM	INCH

CONVERSION

METRIC

ITEM NO.	MATERIAL	DRAWN	ROSS KREGGER
1	STEEL	CHECKED	R.D. GARRETT
2	STEEL	APPROVED	R.D. GARRETT
		RELEASE DATE	9-30-96
		EN-F16686 DP-1141	
		THIRD ANGLE PROJECTION	
		SCALE	2/1
		DIST	U
		CAGE CODE	01276
		SHEET NO	

- 3. 1S12FLB8 NIPPLE ASSEMBLY MAY BE SUBSTITUTED FOR ITEM #1.
- 2. O-RING SHOWN FOR REFERENCE ONLY. SUPPLIED BUT NOT FURNISHED WITH ASSEMBLY.
- 1. PROCESS AS FOLLOWS:
  - (a) BEND NIPPLE TO DIMENSIONS SHOWN.
  - (b) ZINC PLATE PER ACES 2751.
  - (c) ASSEMBLE SOCKET PER ACES 2813.

*Garrett* FLUID CONVEYANCE DIVISION  
 DRAWING TITLE  
 FITTING ASSEMBLY  
 90°, SPLIT FLANGE TYPE (CODE 61),  
 GH663/GH793 HOSE

CONVERTED DRAWING CADAM to AutoCAD 8/98