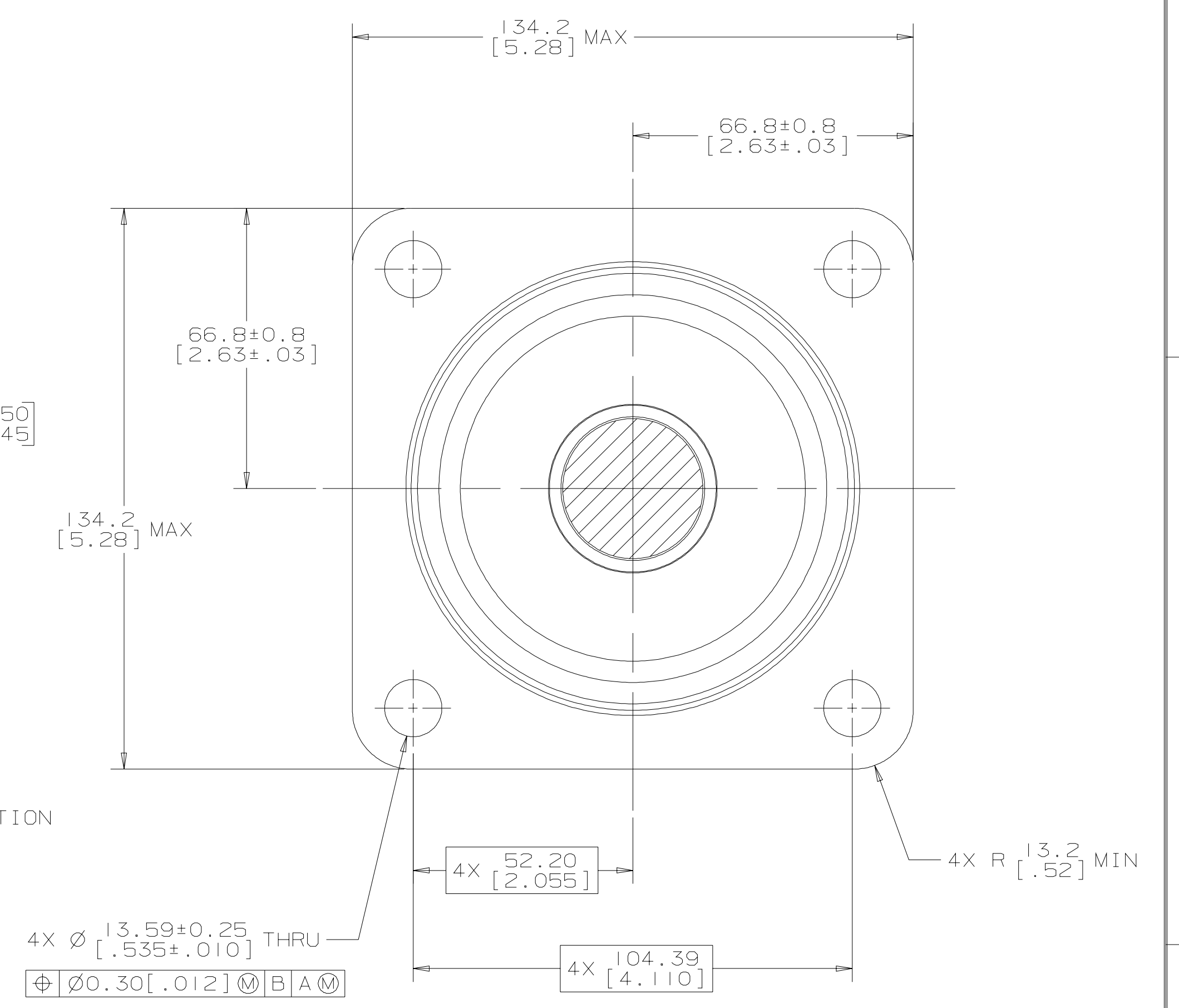
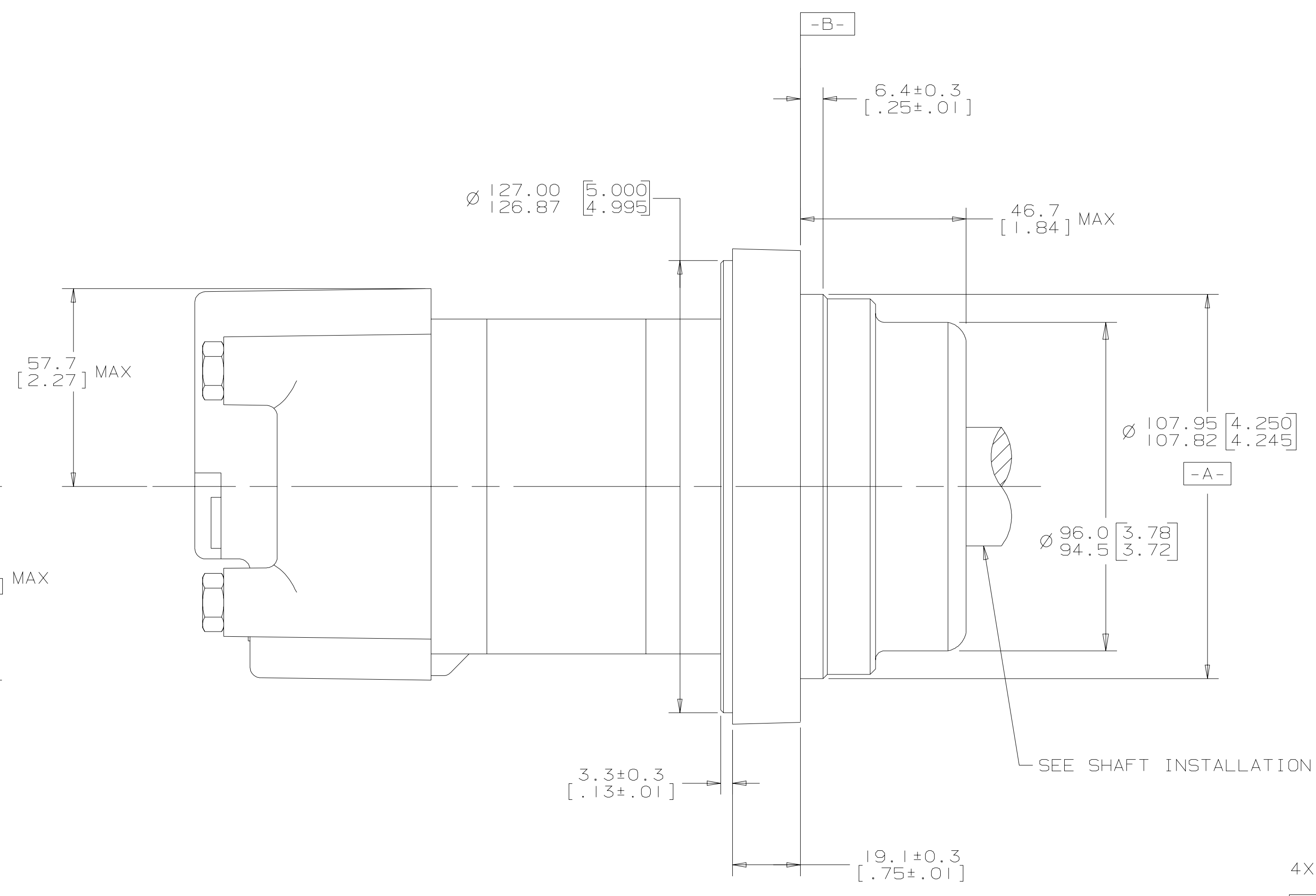
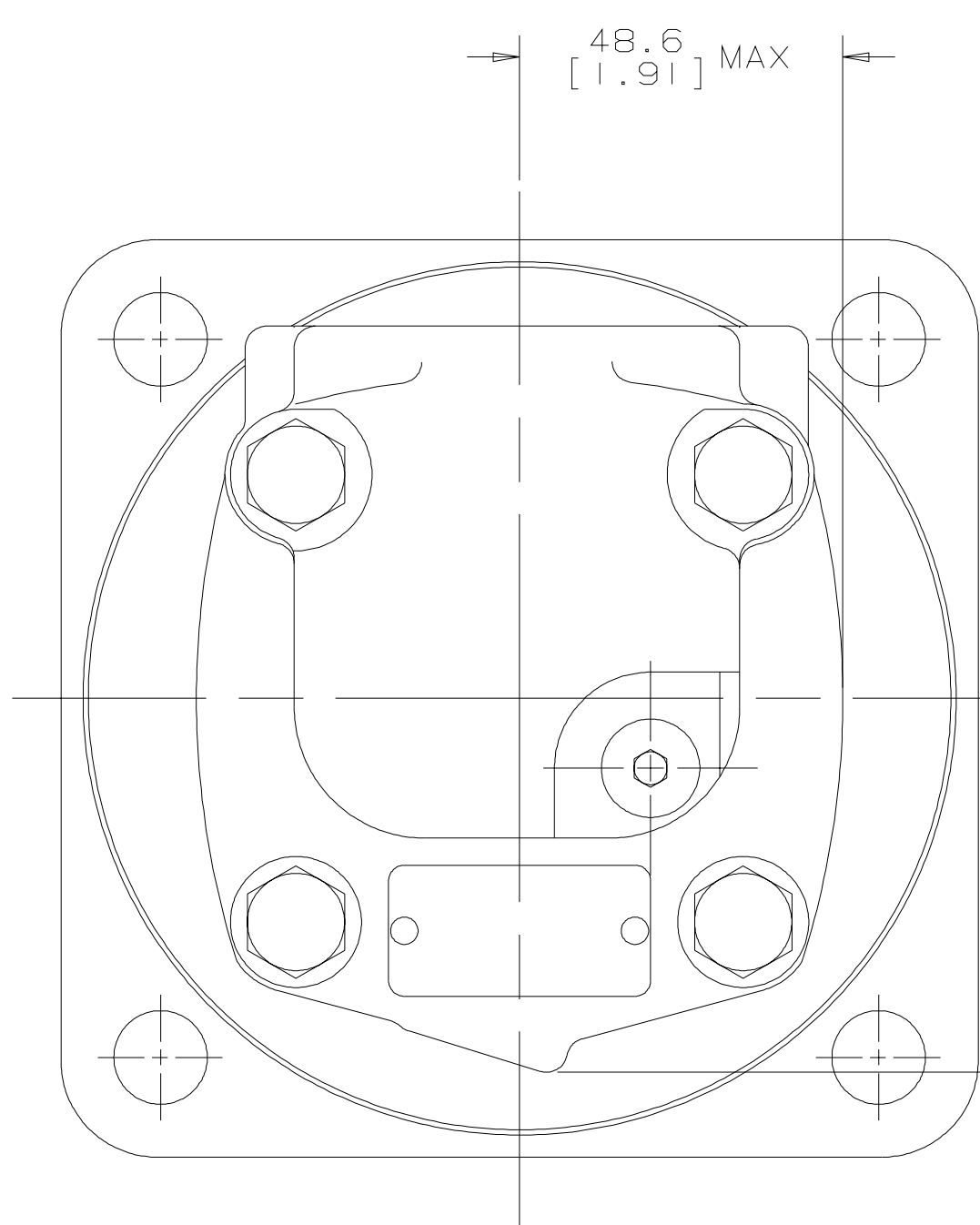
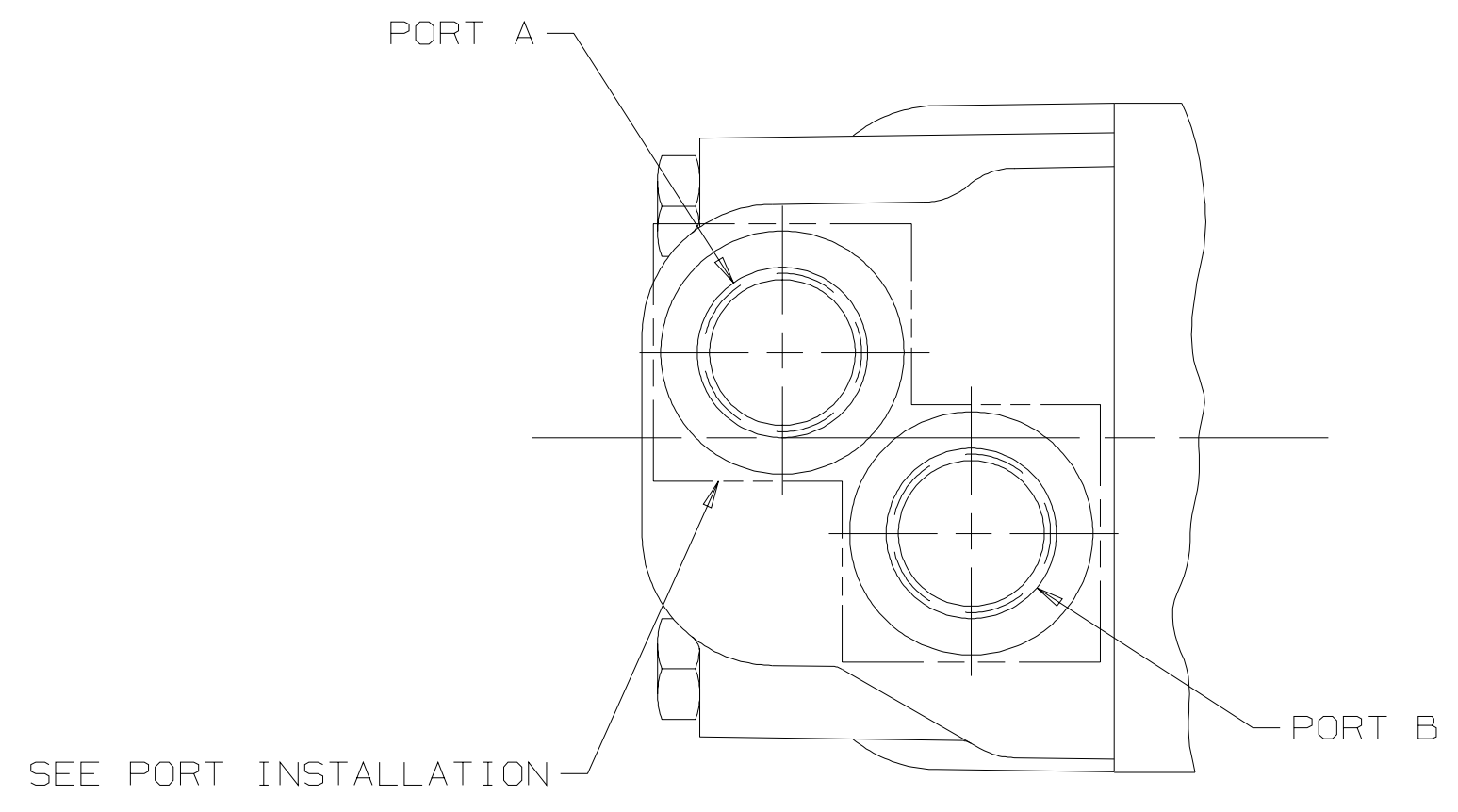


REV	DESCRIPTION	BY	CHK	DATE	ECN
A	ENGINEERING RELEASE	AGJ		7-16-02	M2B446
B	(5A) NOTE 2 WAS ...Ø 127.0 [5.00] REAR MOUNT PILOT	AGJ		2-10-03	43466
C	-1)(4C) REMOVED 21.6 [.85] -2)(4B) WAS 93.0 [3.66] 91.4 [3.60]	SSD		07-19-07	0008918



NOTE

1 ROTATION:  
 STANDARD: WHEN FACING SHAFT END OF MOTOR, SHAFT TO ROTATE;  
 CLOCKWISE WHEN PORT "A" IS PRESSURIZED  
 COUNTERCLOCKWISE WHEN PORT "B" IS PRESSURIZED  
 REVERSE: WHEN FACING SHAFT END OF MOTOR, SHAFT TO ROTATE;  
 CLOCKWISE WHEN PORT "B" IS PRESSURIZED  
 COUNTERCLOCKWISE WHEN PORT "A" IS PRESSURIZED

2 MOUNTING TYPE: AB  
 WHEEL, 4 BOLT: Ø 108.0 [4.25] PILOT  
 Ø 13.59 [.535] HOLES ON Ø 147.6 [5.81] BOLT CIRCLE  
 Ø 126.95 [4.998] REAR MOUNT PILOT

UNLESS OTHERWISE SPECIFIED ALL DIMENSIONS ARE IN: INCHES <input type="checkbox"/> MILLIMETERS <input checked="" type="checkbox"/>		DRAWING BASED ON ANSI Y14.5M-1982	
TOLERANCES .X ---- .XX ---- .XXX ---- < ----		THE REPRODUCTION, DISTRIBUTION, AND UTILIZATION OF THIS DOCUMENT, AS WELL AS THE COMMUNICATION OF ITS CONTENTS TO OTHERS WITHOUT EXPLICIT AUTHORIZATION IS PROHIBITED. OFFENDERS WILL BE HELD LIABLE FOR THE PAYMENT OF DAMAGES. ALL RIGHTS RESERVED IN THE EVENT OF THE GRANT OF A PATENT, UTILITY MODEL, OR DESIGN. (PER ISO 16016)	
DRWN BY/DATE AGJ 7-18-02		MATERIAL/HEAT TREAT	
CHKD BY/DATE SMM 7-22-02		ENGR BY/DATE TIM 7-22-02	
UNSPECIFIED RADI ARE		TITILE 4000 COMPACT SERIES MOTOR INSTALLATION	
UNSPECIFIED DRAFT ANGLES ARE		METALLURGY -----	
DRAWING FORMAT CADD <input checked="" type="checkbox"/> MANUAL <input type="checkbox"/>		THIRD ANGLE PROJECTION	
DO NOT SCALE		NUMBER A-1329-033	
ARITHMETICAL AVERAGE		SCALE 1/1 SHEET 1 OF 1	

G K S