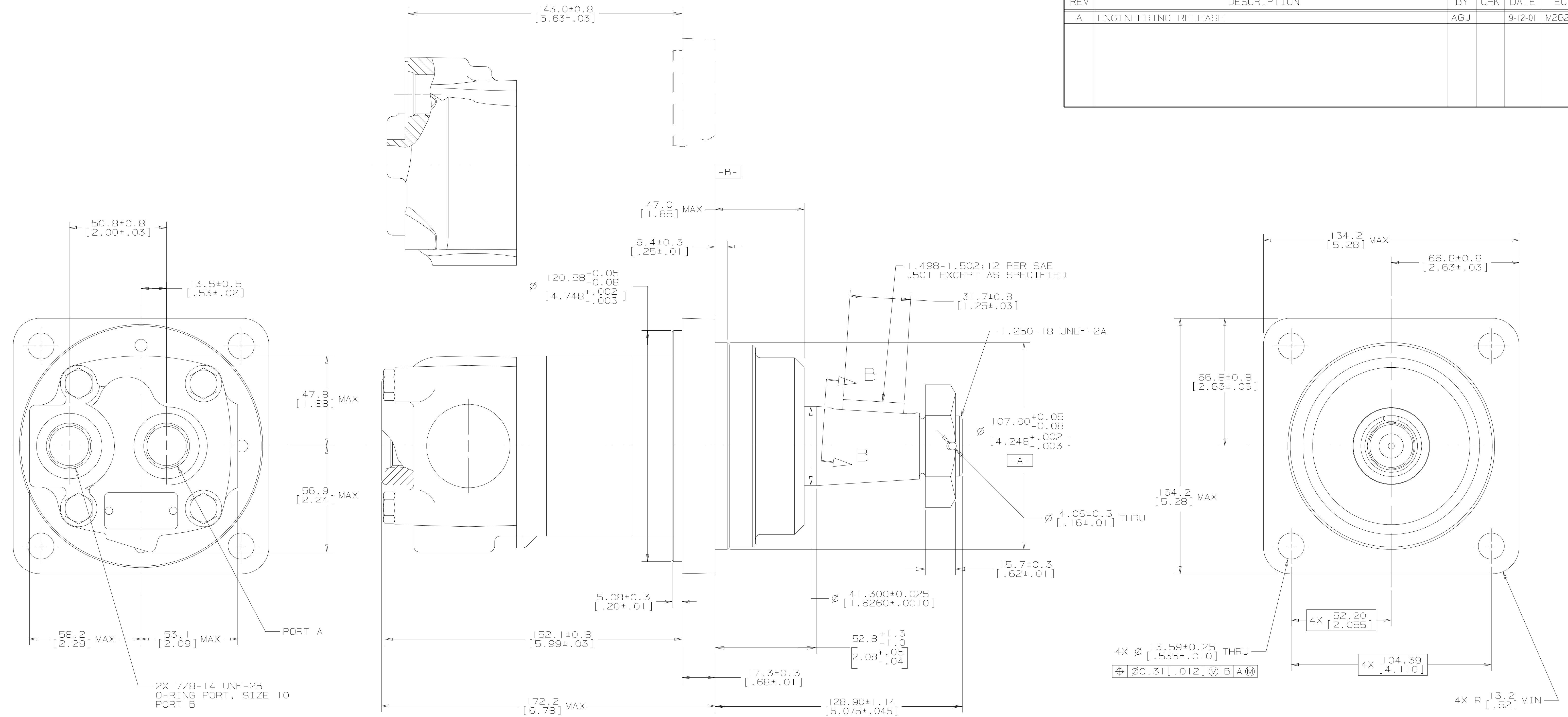
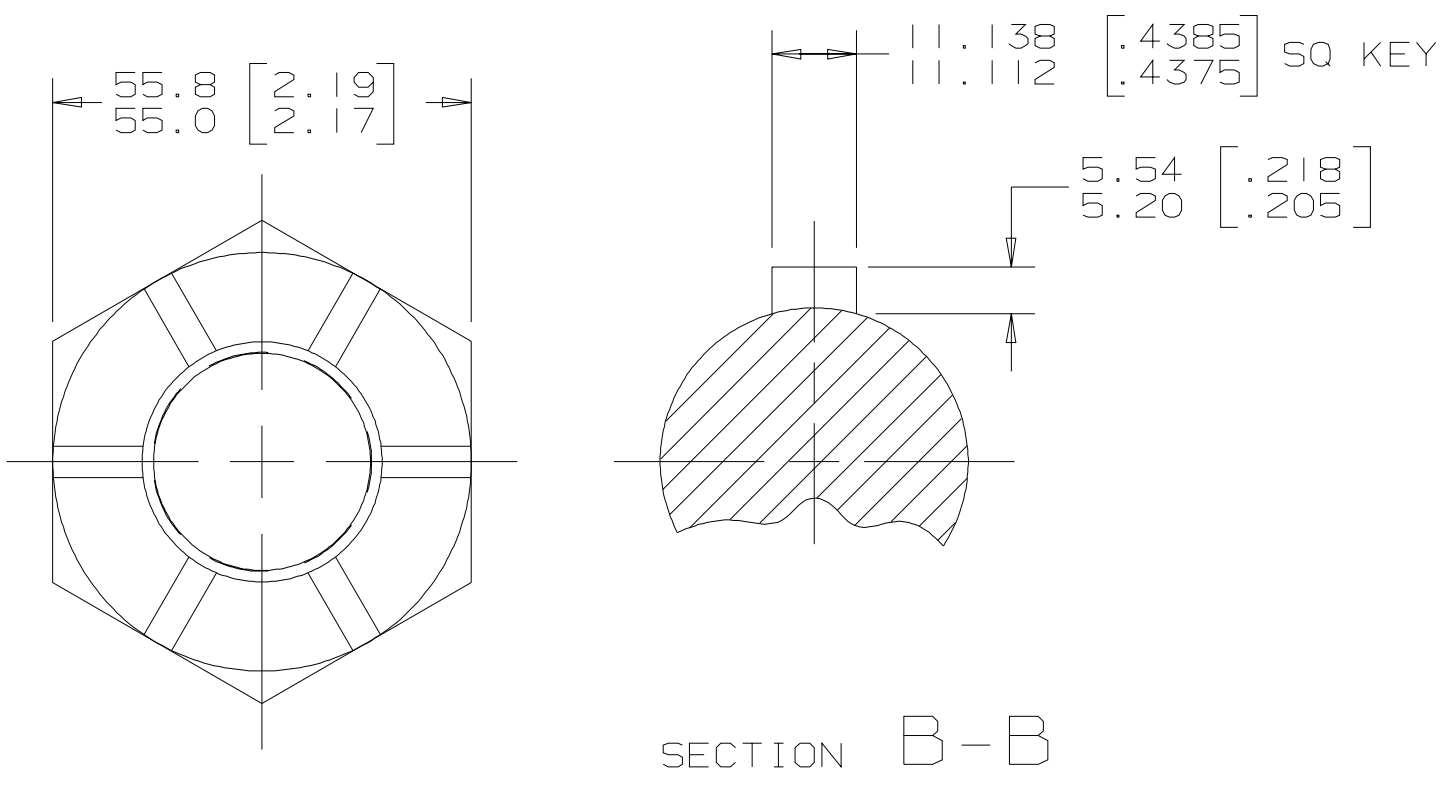


REV	DESCRIPTION	BY	CHK	DATE	ECN
A	ENGINEERING RELEASE	AGJ		9-12-01	M26277



NOTE

- ROTATION: STANDARD: WHEN FACING SHAFT END OF MOTOR, SHAFT TO ROTATE; CLOCKWISE WHEN PORT "A" IS PRESSURIZED; COUNTERCLOCKWISE WHEN PORT "B" IS PRESSURIZED. REVERSE: WHEN FACING SHAFT END OF MOTOR, SHAFT TO ROTATE; CLOCKWISE WHEN PORT "B" IS PRESSURIZED; COUNTERCLOCKWISE WHEN PORT "A" IS PRESSURIZED.
- DISPLACEMENT: 12 201.4 cm³/r [12.29 in³/r]
- MOUNTING TYPE: AM WHEEL, 4 BOLT: Ø 108.0 [4.25] PILOT Ø 13.59 [.535] HOLES ON Ø 147.6 [5.8] BOLT CIRCLE Ø 120.7 [4.75] REAR MOUNT PILOT
- SHAFT OPTION: 98 Ø 41.28 [1.625] TAPERED WITH 11.112 [.4375] SQ X 31.75 [1.250] STRAIGHT KEY, 1 1/4-18 UNEF-2A THREAD WITH SLOTTED HEX NUT
- PORT OPTION: BB 7/8-14 UNF-2B SAE O-RING PORTS - PORT B RECESSED 9.1 [.36] FROM PORT A - END PORTS - CAST BOSS REMOVED
- CASE FLOW OPTION: 06 NO LEAKAGE SLOTS, Ø 4.1 [.16] CASE DRAIN HOLE IN WEAR PLATE



G K S

UNLESS OTHERWISE SPECIFIED ALL DIMENSIONS ARE IN		DRAWING BASED ON ANSI Y14.5M-1982	
INCHES <input type="checkbox"/>	MILLIMETERS <input checked="" type="checkbox"/>	THE REPRODUCTION, DISTRIBUTION, AND UTILIZATION OF THIS DOCUMENT, AS WELL AS THE COMMUNICATION OF ITS CONTENTS TO OTHERS WITHOUT EXPLICIT AUTHORIZATION IS PROHIBITED. OFFENDERS WILL BE HELD LIABLE FOR THE PAYMENT OF DAMAGES. ALL RIGHTS RESERVED IN THE EVENT OF THE GRANT OF A PATENT, UTILITY MODEL OR DESIGN (PER ISO 16016)	
TOLERANCES			
.X	----		
.XX	----	DRN: AGJ 9-21-01	MATERIAL/HEAT TREAT
.XXX	----	CHK: MLL 9-25-01	
<	----	ENGR: TRF 9-25-01	TITLE: 4000 COMPACT SERIES MOTOR INSTALLATION
UNSPECIFIED RADI ARE	----	METALLURGY	NUMBER: 167-0035-001
UNSPECIFIED DRAFT ANGLES ARE	----	THIRD ANGLE PROJECTION	SCALE: 1/1
DRAWING FORMAT CADD <input checked="" type="checkbox"/> MANUAL <input type="checkbox"/>	DO NOT SCALE	ARITHMETICAL AVERAGE	SHEET 1 OF 1