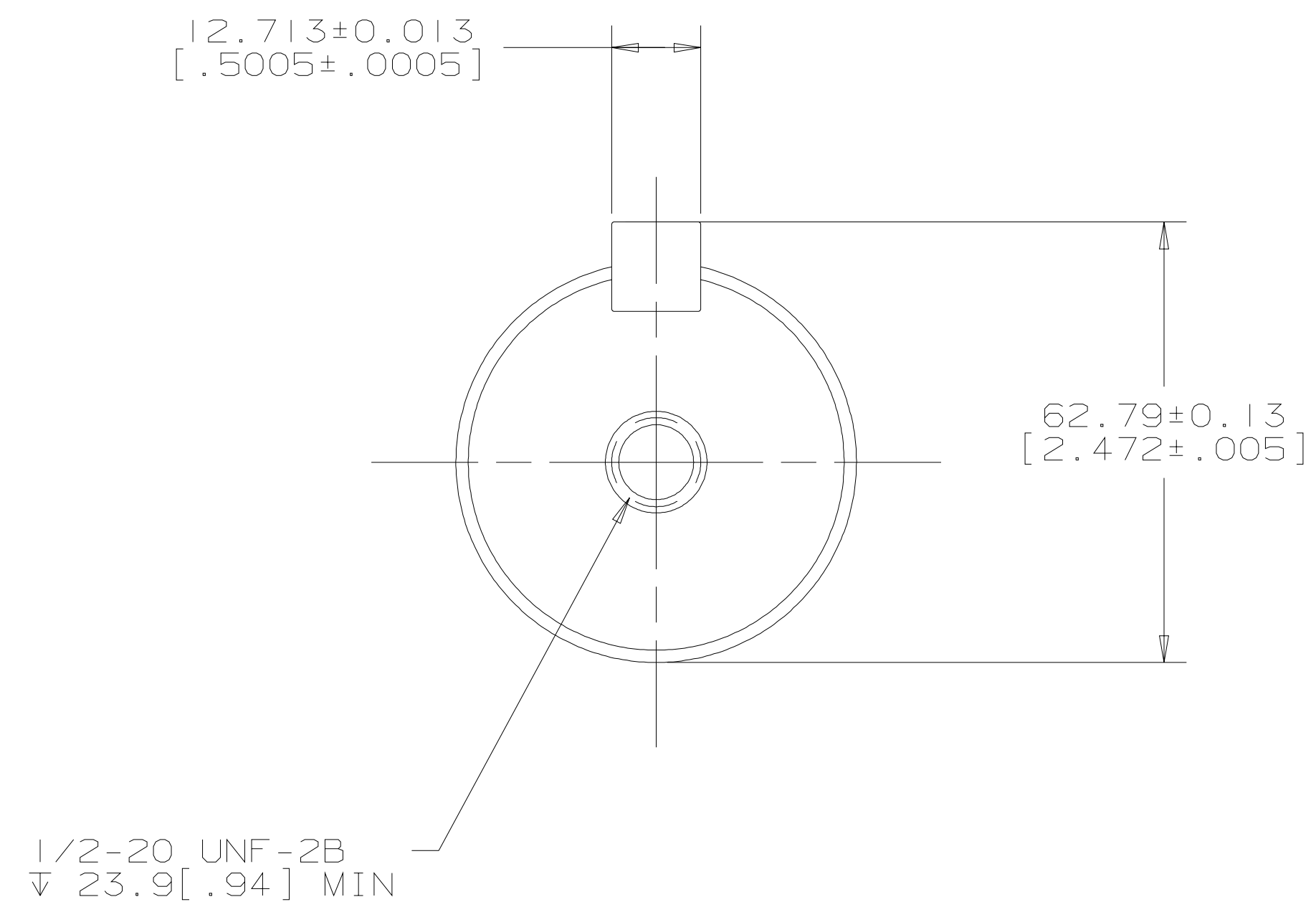
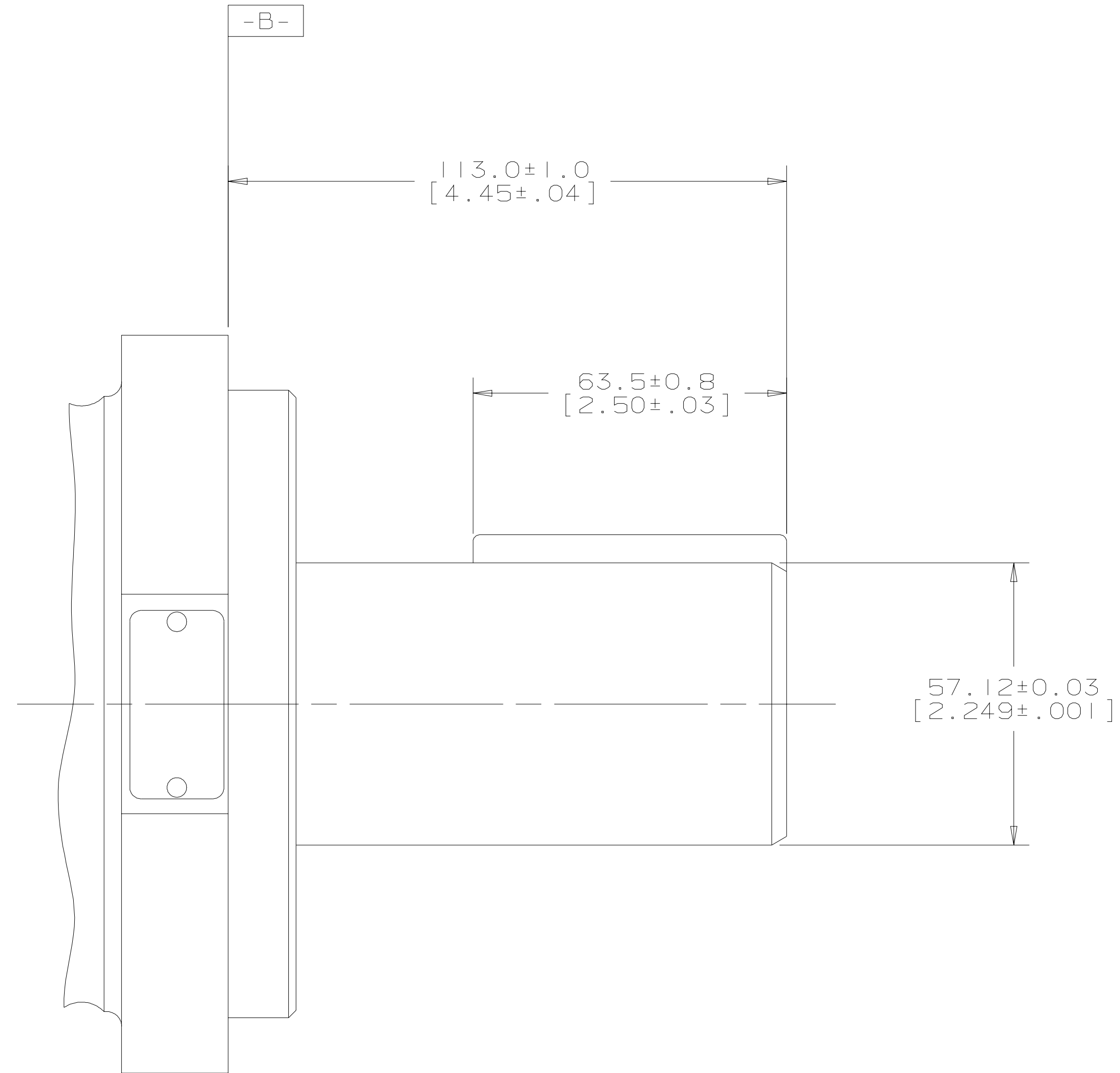


REV	DESCRIPTION	BY	DATE	ECN
A	ENGINEERING RELEASE	KJR	6-28-94	25183
B	(1C) 62.79±0.13 WAS 67.79±0.13	JMM	3-14-95	26573
C	(3A) ADDED OPTION 05	GCB	3-4-97	M17068
D	(4A) MOUNTING TYPE WAS "A"	JSB	4-17-07	0004973
E	(3C) 57.12±0.03 [2.249±.001] WAS 57.145 +0.005/-0.008 [2.2498 +.0002/-0.0003]	SMT	03-21-11	M81633



NOTE

- 1 MOUNTING TYPE: OPTION AA
- 2 OUTPUT SHAFT: OPTION 01 & 05



REVIEWED FOR CLASSIFICATION PER ESP-042

UNLESS OTHERWISE SPECIFIED ALL DIMENSIONS ARE IN INCHES <input type="checkbox"/> MILLIMETERS <input checked="" type="checkbox"/>		DRAWING BASED ON ANSI Y14.5M-1982	
TOLERANCES .X ± ---- .XX ± ---- .XXX ± ---- ∠ ± ----		THE REPRODUCTION, DISTRIBUTION, AND UTILIZATION OF THIS DOCUMENT, AS WELL AS THE COMMUNICATION OF ITS CONTENTS TO OTHERS WITHOUT EXPLICIT AUTHORIZATION IS PROHIBITED. OFFENDERS WILL BE HELD LIABLE FOR THE PAYMENT OF DAMAGES. ALL RIGHTS RESERVED IN THE EVENT OF THE GRANT OF A PATENT, UTILITY MODEL, OR DESIGN. (PER ISO 16016)	
UNSPECIFIED RADII ARE ----		DRAWN BY/DATE KJR 3-24-94	MATERIAL/HEAT TREAT
UNSPECIFIED DRAFT ANGLES ARE ----		CHECKED BY/DATE AGJ 7-8-94	
DRAWING FORMAT CADD <input checked="" type="checkbox"/> MANUAL <input type="checkbox"/>		ENGRG BY/DATE MLB 7-29-94	
THIRD ANGLE PROJECTION		METALLURGY BY/DATE	NUMBER A-833-001
DO NOT SCALE		ARITHMETICAL AVERAGE <input checked="" type="checkbox"/>	SCALE 1/1 SHEET 1 OF 1